

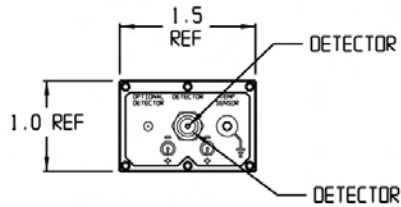
4

3

2

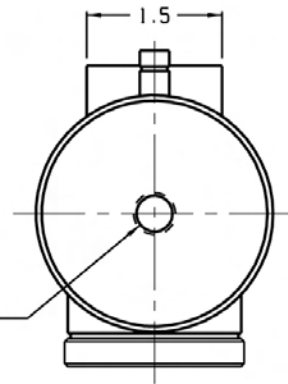
1

REVISIONS			
REV	DESCRIPTION	DATE	APPROVED
0	INITIAL RELEASE	10/21/02	DD/MW

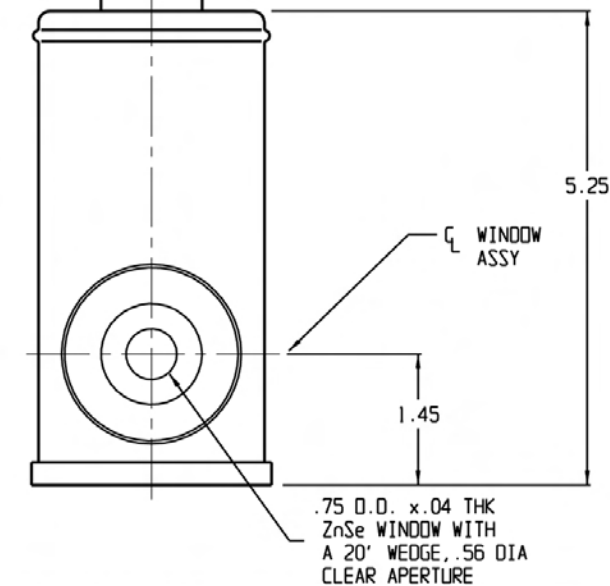
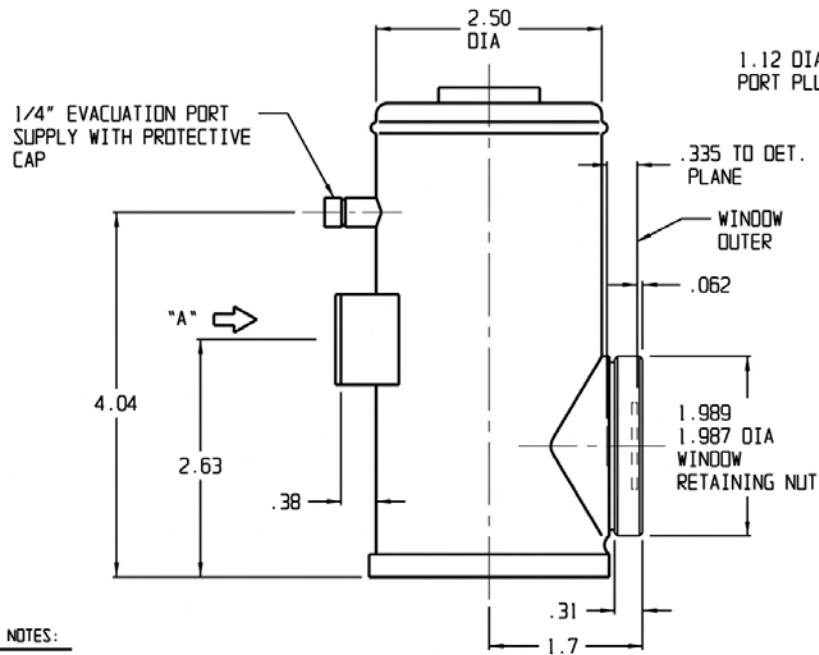


VIEW "A"

1/8" NPT FILL PORT
SHOWN WITH FILL
PORT PLUG REMOVED



1.12 DIA FILL
PORT PLUG



NOTES:

1. SPECIFICATION FOR PHOTOCONDUCTOR HgCdTe DETECTOR
 MATERIAL TYPE: HgCdTe
 ACTIVE AREA SIZE: 2.0 mm x 2.0 mm
- DETECTOR SPECIFICATIONS:
 77 Kelvin
 MINIMUM D* (PEAK, 10KHz, 1Hz): 1.5E10 cmHz^{1/2} W⁻¹
 MINIMUM RESPONSIVITY (PEAK, 900Hz): 150 V/W
 MINIMUM WAVELENGTH CUTOFF: 20% at 16.6 um
 MAXIMUM BIAS VOLTAGE: 14.0 Volts
 FIELD OF VIEW: 60°
 WINDOW MATERIAL TYPE: ZnSe Wedged/20°
 MINIMUM HOLD TIME: 8 Hours
 MAXIMUM FLOW RATE: 120 nl/min
 DETECTOR TO WINDOW DISTANCE: 8.5 +/-0.5 mm

UNLESS OTHERWISE SPECIFIED:
 DIMENSIONS ARE IN INCHES
 TOLERANCES

DECIMALS	ANGULAR
.XX ± .02	± 1/2°
.XXX ± .01	
XXX ± .005	

DRAWN	K.F.M.	DATE	10/21/02
DESIGN	K.F. MARSHALL	DATE	10/21/02
CHECK	FRANK CECI	DATE	10/21/02
PROJECT	DON DOLAN	DATE	10/30/02
MFG APPROVAL	WILLIAM ROLLS	DATE	10/31/02
QA APPROVAL	D.F. GREENE	DATE	10/31/02
THIRD ANGLE PROJECTION			

TELEDYNE JUDSON TECHNOLOGIES A Teledyne Technologies Company		221 COMMERCE DRIVE MONTGOMERYVILLE, PA 19936	
TITLE			
J15D16-M204-S02M-60			
SIZE	DWG NO.	REV	
C 56586	450704POD	0	
SCALE	DO NOT SCALE DWG		SHEET 1 of 1

4

3

2

1