

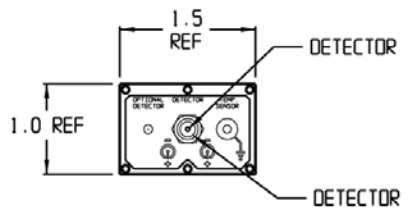
4

3

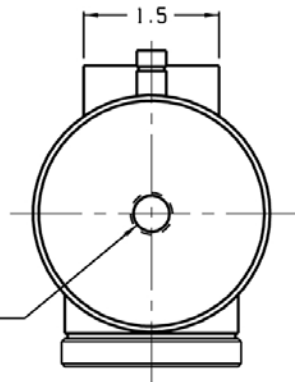
2

1

REVISIONS			
REV	DESCRIPTION	DATE	APPROVED
0	INITIAL RELEASE	06/20/02	WR/DFG

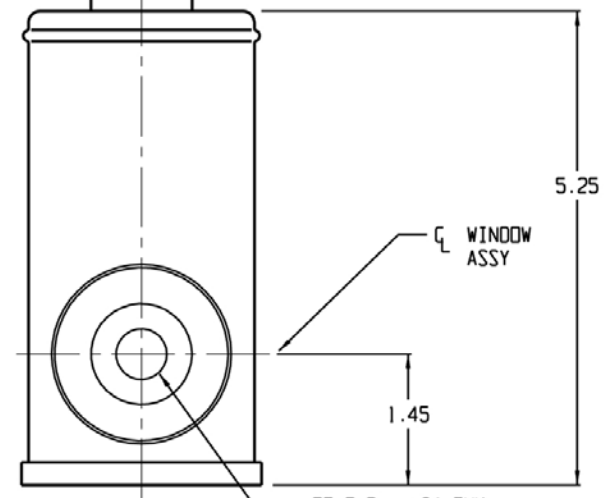
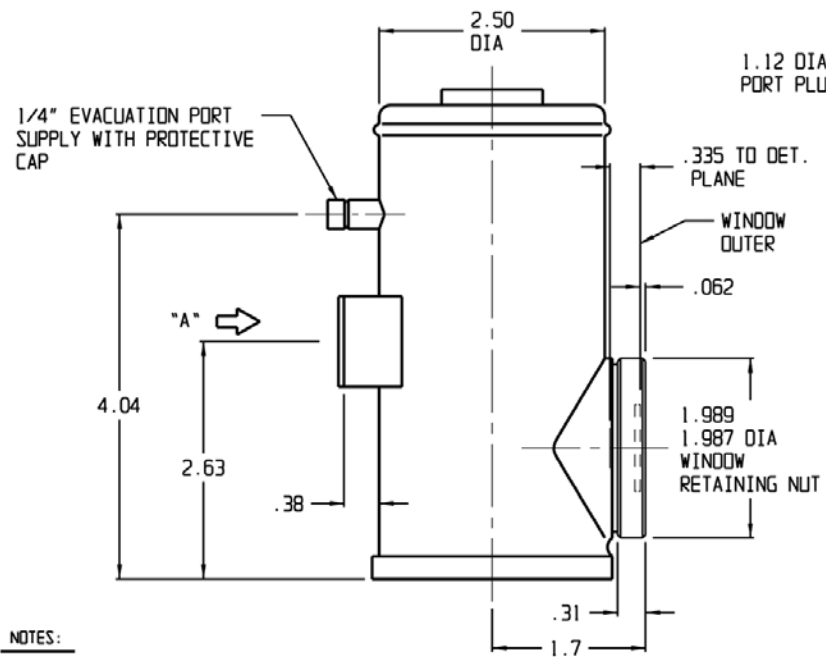


VIEW "A"



1/8" NPT FILL PORT SHOWN WITH FILL PORT PLUG REMOVED

1.12 DIA FILL PORT PLUG



**NOTES:**

1. SPECIFICATION FOR PHOTOCONDUCTOR HgCdTe DETECTOR  
 MATERIAL TYPE: HgCdTe  
 ACTIVE AREA SIZE: 1.0 mm x 1.0 mm

DETECTOR SPECIFICATIONS:  
 77 Kelvin  
 MINIMUM D\* (PEAK, 10KHz, 1Hz): 3.0E10 cmHz<sup>1/2</sup> W-1  
 MINIMUM RESPONSIVITY (PEAK, 900Hz): 1,000 V/W  
 MINIMUM WAVELENGTH CUTOFF: 20% at 14.0 um  
 MAXIMUM BIAS VOLTAGE: 7.0 Volts  
 FIELD OF VIEW: 60°  
 WINDOW MATERIAL TYPE: ZnSe Wedged/20°  
 MINIMUM HOLD TIME: 8 Hours  
 MAXIMUM FLOW RATE: 120 nl/min  
 DETECTOR TO WINDOW DISTANCE: 8.5 +/-0.5 mm

UNLESS OTHERWISE SPECIFIED: DIMENSIONS ARE IN INCHES TOLERANCES		DATE
DECIMALS	ANGULAR	
.XX ± .02	± 1/2°	
.XX ± .01		
.XXX ± .005		
DRAWN	K.F.M.	06/20/02
DESIGN	K.F. MARSHALL	6/20/02
CHECK	FRANK CECI	6/21/02
PROJECT	N/A	
MFG APPROV	WILLIAM ROLLS	6/21/02
QA APPROV	D.F. GREENE	6/21/02
THIRD ANGLE PROJECTION		

TELEDYNE JUDSON TECHNOLOGIES  
 A Teledyne Technologies Company

221 COMMERCE DRIVE  
 MONTGOMERYVILLE, PA 19936

TITLE  
**J15D14-M204-S01M-60**

SIZE: [ C ] 56586 DWG NO: 450011-1POD REV: 0

SCALE: 1:1 DO NOT SCALE DWG SHEET 1 of 1

4

3

2

1