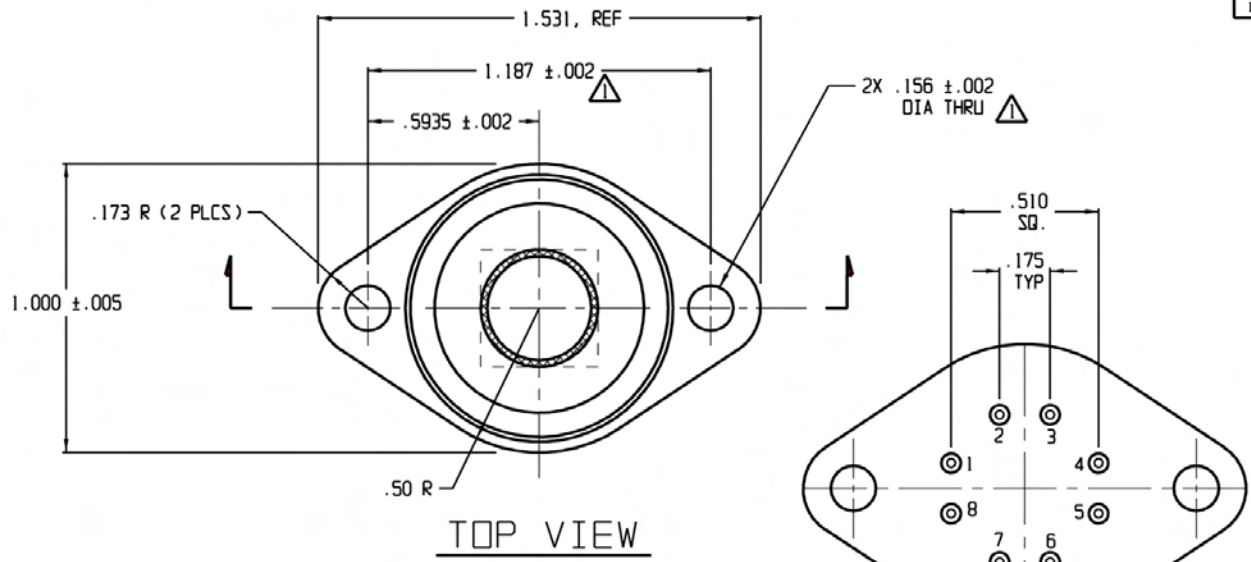


REVISIONS			
REV	DESCRIPTION	DATE	APPROVED
0	INITIAL RELEASE	06/18/02	WR/DFG
1	CHANGES PER DCN 403171	10/14/02	WR/DFG

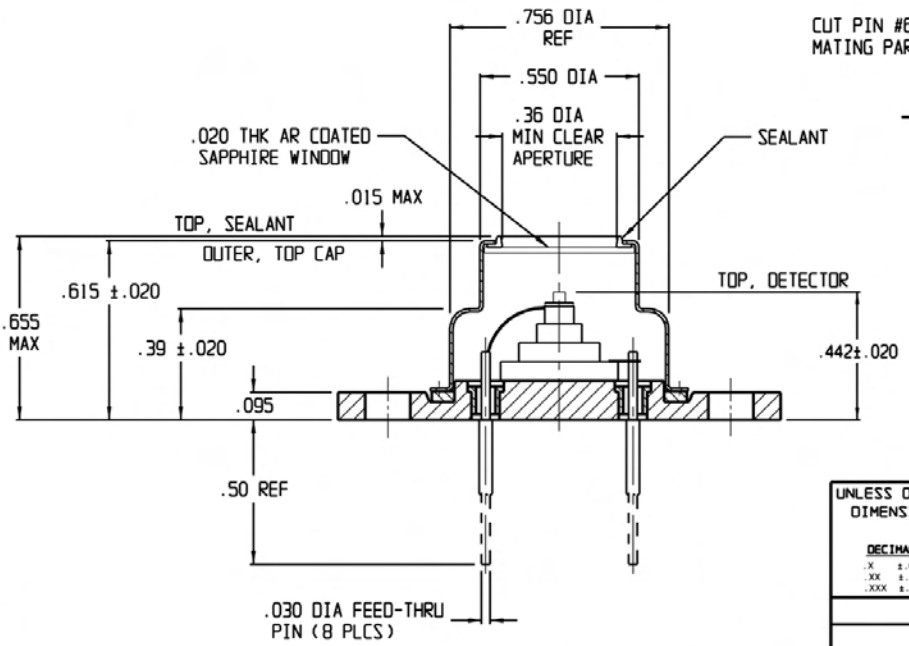


PIN NO.	DESIGNATION COLOR	SLEEVE
1	THERMISTOR	YELLOW
2	DETECTOR CATHODE (-)	WHITE
3	DETECTOR ANODE (+)	GREEN
4	COOLER (-)	BLACK
5	COOLER (+)	RED
6	N/C	CLEAR
7	N/C	CLEAR
8	THERMISTOR	YELLOW



- NOTES:**
- 1. DETECTOR CENTERED WITHIN ±.005 WITH RESPECT TO .156 MOUNTING HOLES.
  - 2. FINISH: ALL EXPOSED METAL SURFACES - GOLD PLATED.
  - 3. SPECIFICATION FOR A THERMOELECTRICALLY COOLED PHOTOVOLTAIC HgCdTe DETECTOR

MATERIAL TYPE: PV HgCdTe 2.8 um  
ACTIVE AREA SIZE: 0.250 mm Dia  
PACKAGE SPECIFICATIONS: TD-66  
DETECTOR SPECIFICATIONS AT: -85° C (Unless Noted)  
MINIMUM D\* (PEAK, 10KHZ, 1HZ): 7.2E11 cmHz1/2W-1  
MINIMUM RESPONSIVITY (PEAK, 900HZ): 1.3 A/W  
MINIMUM WAVELENGTH CUTOFF: 50% at 2.8 um  
PEAK WAVELENGTH (typical): 2.6 um  
MINIMUM DETECTOR SHUNT IMPEDANCE AT 22 °C: 7.5 Kohms  
MINIMUM DETECTOR SHUNT IMPEDANCE: 16 Mohms  
BIAS VOLTAGE (UNLESS NOTED): 0.0 V  
MAXIMUM REVERSE BIAS VOLTAGE (Vr): 0.2 V  
MAXIMUM DARK CURRENT (Id) AT Vr=.1V: 30 nA  
WINDOW MATERIAL: Sapphire AR Coated 1-6 um



SECTIONAL SIDE VIEW

UNLESS OTHERWISE SPECIFIED: DIMENSIONS ARE IN INCHES		DRAWN: K.F.M.	DATE: 06/18/02	TELEDYNE JUDSON TECHNOLOGIES A Teledyne Technologies Company		221 COMMERCE DRIVE MONTGOMERYVILLE, PA 18936
TOLERANCES		DESIGN: K.F. MARSHALL	DATE: 6/18/02	TITLE: J19TE4: 2.8-3CN-R250U		
DECIMALS	ANGULAR	CHECK: FRANK CECI	DATE: 6/18/2002	SIZE: C		
X ± .02	± 1/2°	PROJECT: N/A	DATE: -----	DWG NO: 440051POD		
.XX ± .01		MFG APPROV: WILLIAM ROLLS	DATE: 6/19/02	REV: 1		
.XXX ± .005		DA APPROV: D.F. GREENE	DATE: 6/19/02	SCALE: 3:1		
NEXT ASSY		USED ON		DO NOT SCALE DWG		
				SHEET 1 of 1		