

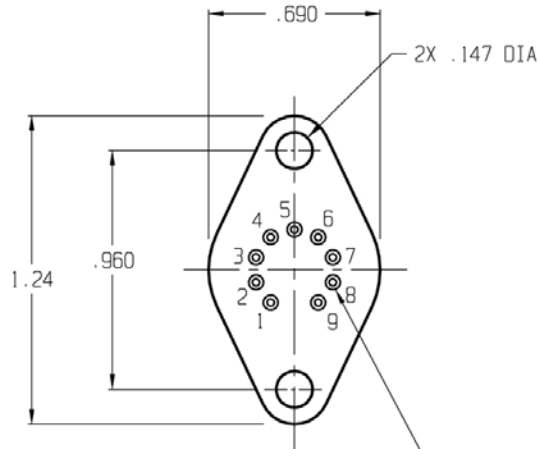
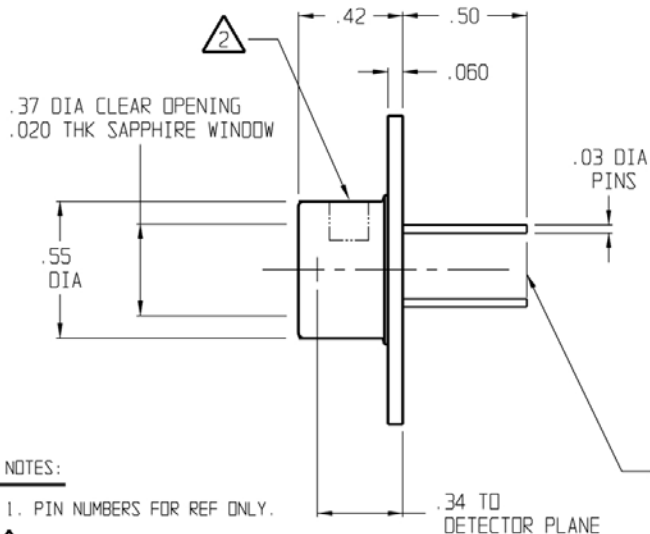
4

3

2

1

REVISIONS			
REV	DESCRIPTION	DATE	APPROVED
0	INITIAL RELEASE	06/21/02	WR/DFG



PIN CHART

PIN	FUNCTION	COLOR CODE
1	COOLER (+)	RED
2	CASE(GND)	CLEAR
3	DETECTOR ANODE (+)	GREEN
4	DETECTOR CATHODE (-)	WHITE
5	THERMISTOR	YELLOW
6	THERMISTOR	YELLOW
7	N/C	CLEAR
8	N/C	CLEAR
9	COOLER (-)	BLACK

NOTES:

- PIN NUMBERS FOR REF ONLY.
- PRODUCT MARKING.
- MATES WITH P/N 300359 SOCKET, TO-66, 9-PIN.

- MATERIAL TYPE: PV HgCdTe 2.8 μm
 ACTIVE AREA SIZE: 0.250 mm Dia
 PACKAGE SPECIFICATIONS: TO-66
 DETECTOR SPECIFICATIONS AT: -40° C (UNLESS NOTED)
 MINIMUM D* (PEAK, 10KHz, 1Hz): 2.1E11 $\text{cm}^2/\text{W}\cdot\text{l}$
 MINIMUM RESPONSIVITY (PEAK, 900Hz): 1.3 A/W
 PEAK WAVELENGTH (TYPICAL): 2.6 μm
 MINIMUM DETECTOR SHUNT IMPEDANCE AT 22° C: 7.5 Kohms
 MINIMUM DETECTOR SHUNT IMPEDANCE: 0.75 Mohms
 BIAS VOLTAGE (UNLESS NOTED): 0.0 V
 MAXIMUM REVERSE BIAS VOLTAGE (Vr): 0.2 V
 MAXIMUM DARK CURRENT (ID) AT Vr=.1V: 0.2 μA
 WINDOW MATERIAL: Sapphire AR coated 1 - 6 μm

PINS OMITTED FOR CLARITY

BOTTOM VIEW

9X .030 DIA PINS ON
.425 DIA B.C.
SPACED 36° APART

UNLESS OTHERWISE SPECIFIED: DIMENSIONS ARE IN INCHES:		DRAWN K.F.M.		DATE 06/21/02		221 COMMERCE DRIVE MONTGOMERYVILLE, PA 18936	
TOLERANCES		DESIGN K.F. MARSHALL		DATE 6/21/02		TELEDYNE JUDSON TECHNOLOGIES A Teledyne Technologies Company	
DECIMALS	ANGULAR	CHECK FRANK CECI		DATE 6/21/2002		TITLE J19TE2:2.8-66C-R250U	
.X ± .02	± 1/2°	PROJECT N/A		DATE -----		SIZE B	
.XX ± .01		PFG APPROV WILLIAM ROLLS		DATE 6/21/02		DWG NO 440049P00	
.XXX ± .005		DIA APPROV D.F. GREENE		DATE 6/21/02		REV 0	
NEXT ASSY		USED ON		THIRD ANGLE PROJECTION		SCALE 2:1	
						DO NOT SCALE DWG	
						SHEET 1 of 1	

4

3

2

1