

4

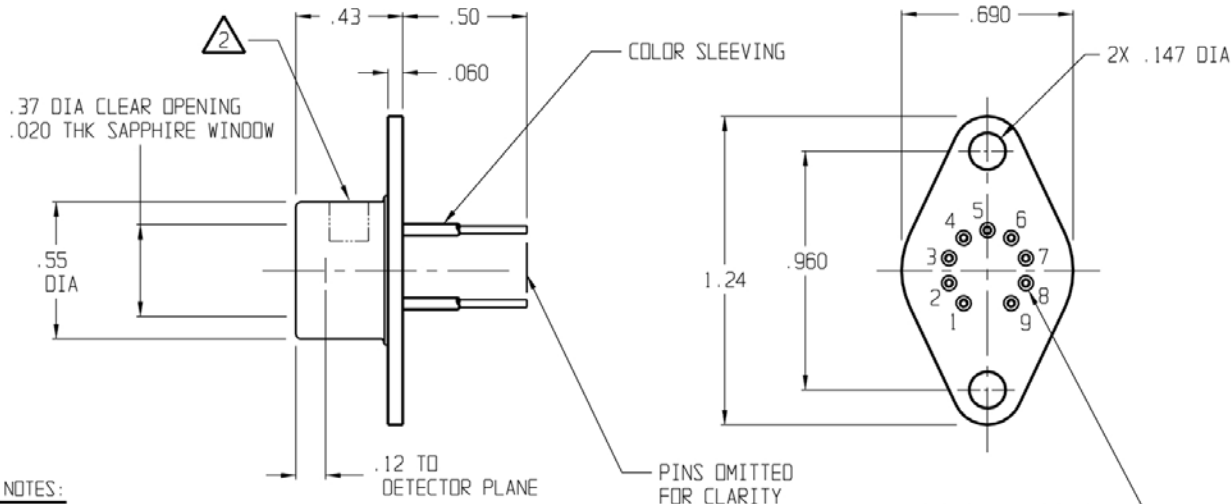
3

2

1

REVISIONS

REV	DESCRIPTION	DATE	APPROVED
0	INITIAL RELEASE	01/22/02	WR/DFG



PIN DESIGNATION

PIN	FUNCTION	COLOR CODE
1	COOLER (+)	RED
2	CASE (GND)	CLEAR
3	DETECTOR (+) ANODE	GREEN
4	DETECTOR (-) CATHODE	WHITE
5	THERMISTOR	YELLOW
6	THERMISTOR	
7	N/C	CLEAR
8	N/C	CLEAR
9	COOLER (-)	BLACK

NOTES:

- PIN NUMBERS FOR REF ONLY.
- PRODUCT MARKING.
- MATES WITH P/N 300359 SOCKET, TO-66, 9-PIN.
- SPECIFICATIONS FOR A THERMOELECTRICALLY COOLED PHOTO VOLTAIC HgCdTe DETECTOR:

MATERIAL TYPE: PV HgCdTe 5.0 μ m
 ACTIVE AREA SIZE: 1.0 mm Dia
 PACKAGE SPECIFICATIONS: TO-66
 DETECTOR SPECIFICATIONS AT: -40 °C
 MINIMUM WAVELENGTH CUTOFF: 50% AT 5.0 μ m
 MAXIMUM DARK CURRENT AT -0.1 V: 1.3 nA
 MINIMUM PEAK RESPONSE AT -0.1 V: 3.0 A/W
 MINIMUM DETECTOR SHUNT IMPEDANCE AT -0.1 V: 450 ohms
 MINIMUM DETECTIVITY (PEAK, 1KHz, 1Hz) AT -0.1 V: 1.29E10 cmHz^{1/2}W⁻¹
 THERMISTOR RESISTANCE AT 22° C: 1.3-1.7 Kohms
 WINDOW MATERIAL: Sapphire AR coated 1-6 μ m

UNLESS OTHERWISE SPECIFIED: DIMENSIONS ARE IN INCHES:	DESIGN: K.F.M.	DATE: 12/21/01
TOLERANCES	DESIGN: K.F. MARSHALL	DATE: 1/23/02
	CHECK: FRANK CECI	DATE: 1/24/2002
DECIMALS: .X ± .02 .XX ± .01 .XXX ± .005	PROJECT: N/A	DATE: -----
ANGULAR: ± 1/2°	DFG APPROV: WILLIAM ROLLS	DATE: 1/24/02
	QA APPROV: CLIVE MASON	DATE: 1/24/02
NEXT ASSY	USED ON	THIRD ANGLE PROJECTION

		221 COMMERCE DRIVE MONTGOMERYVILLE, PA 18936	
TITLE: J19TE2:5-66C-S01M			
SIZE: B	DWG NO: 56586	REV: 0	SCALE: 2:1
DO NOT SCALE DWG		SHEET 1 of 1	

4

3

2

1