

REVISIONS			
REV	DESCRIPTION	DATE	APPROVED
0	INITIAL RELEASE	6-1-93	KWM/RLS
1	REDRAWN IN CADKY FORMAT PER DCN 400800	03/09/99	FC/HO
2	CHANGES PER DCN 402905	04/22/02	WR/DFG

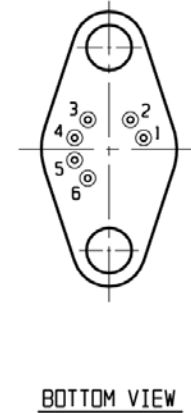
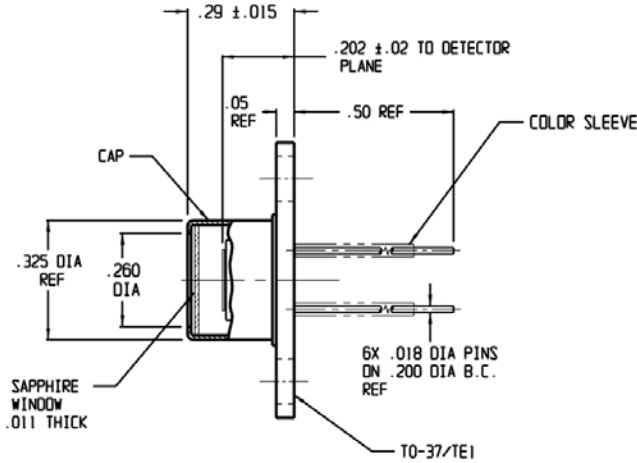
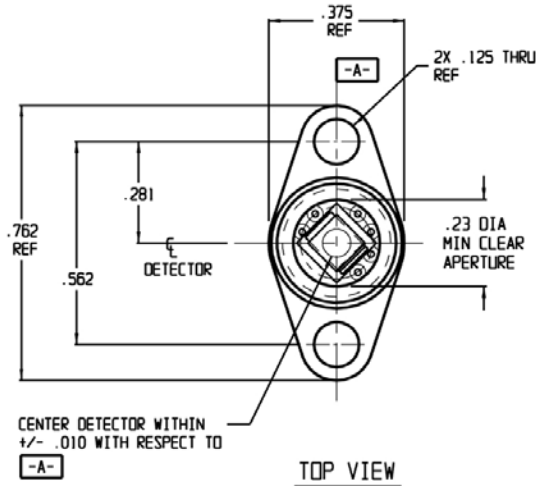


TABLE 1

PIN #	DESIGNATION	SLEEVE COLOR
1	THERMISTOR	YELLOW
2	THERMISTOR	
3	TE COOLER (+)	RED
4	TE COOLER (-)	BLACK
5	DETECTOR ANODE (+)	GREEN
6	DETECTOR CATHODE (-)	WHITE

**NOTES:**

- DETECTOR CENTERED WITHIN +/- .010 WITH RESPECT TO THRU HOLES.
- FINISH: ALL EXPOSED METAL SURFACES ARE TO BE GOLD PLATED.
- PACKAGE SPECIFICATIONS: TO-37

MATERIAL TYPE: InAs  
 ACTIVE AREA SIZE: 2.0 mm DIA  
 DETECTOR TESTED AT (DEGREES CELSIUS): -20 °C  
 PEAK RESPONSE: 1.25 A/W  
 DETECTOR SHUNT IMPEDANCE (22 °C): 5 ohms  
 DETECTOR SHUNT IMPEDANCE (-20 °C): 50 ohms  
 DETECTIVITY (PEAK, 1KHz, 1Hz): 1.5E10  
 WINDOW MATERIAL: SAPPHIRE

UNLESS OTHERWISE SPECIFIED: DIMENSIONS ARE IN INCHES TOLERANCES		<table border="1"> <tr><td>DRAWN</td><td>KWM/KFM</td><td>DATE</td><td>03/04/99</td></tr> <tr><td>DESIGN</td><td>KWM</td><td>DATE</td><td>6/1/93</td></tr> <tr><td>CHECK</td><td>J.L.H.</td><td>DATE</td><td>6/7/93</td></tr> <tr><td>PROJECT</td><td>R.L. SCHAPKER</td><td>DATE</td><td>6/7/93</td></tr> <tr><td>PRG. APPROV.</td><td>M.W.</td><td>DATE</td><td>6/17/93</td></tr> <tr><td>DA. APPROV.</td><td>J HALL</td><td>DATE</td><td>6/17/93</td></tr> </table>	DRAWN	KWM/KFM	DATE	03/04/99	DESIGN	KWM	DATE	6/1/93	CHECK	J.L.H.	DATE	6/7/93	PROJECT	R.L. SCHAPKER	DATE	6/7/93	PRG. APPROV.	M.W.	DATE	6/17/93	DA. APPROV.	J HALL	DATE	6/17/93	<p>TELEDYNE JUDSON TECHNOLOGIES A Teledyne Technologies Company</p> <p>221 COMMERCE DRIVE MONTGOMERYVILLE, PA 17056</p>
DRAWN	KWM/KFM	DATE	03/04/99																								
DESIGN	KWM	DATE	6/1/93																								
CHECK	J.L.H.	DATE	6/7/93																								
PROJECT	R.L. SCHAPKER	DATE	6/7/93																								
PRG. APPROV.	M.W.	DATE	6/17/93																								
DA. APPROV.	J HALL	DATE	6/17/93																								
<table border="1"> <tr><td>DECIMALS</td><td>ANGULAR</td></tr> <tr><td>.X ± .02</td><td>± 1/2°</td></tr> <tr><td>.XX ± .01</td><td></td></tr> <tr><td>.XXX ± .005</td><td></td></tr> </table>	DECIMALS	ANGULAR	.X ± .02	± 1/2°	.XX ± .01		.XXX ± .005		<table border="1"> <tr><td>PROJECT</td><td></td></tr> <tr><td>DATE</td><td></td></tr> <tr><td>DATE</td><td></td></tr> <tr><td>DATE</td><td></td></tr> <tr><td>DATE</td><td></td></tr> <tr><td>DATE</td><td></td></tr> </table>	PROJECT		DATE		DATE		DATE		DATE		DATE		<p>TITLE</p> <p><b>J12TE1-37S-R02M</b></p>					
DECIMALS	ANGULAR																										
.X ± .02	± 1/2°																										
.XX ± .01																											
.XXX ± .005																											
PROJECT																											
DATE																											
DATE																											
DATE																											
DATE																											
DATE																											
<table border="1"> <tr><td>NEXT ASSY</td><td>USED ON</td></tr> <tr><td></td><td></td></tr> </table>	NEXT ASSY	USED ON			<p>THIRD ANGLE PROJECTION</p>	<table border="1"> <tr><td>SIZE</td><td>56586</td><td>DWG NO.</td><td>420065P00</td><td>REV</td><td>2</td></tr> </table>	SIZE	56586	DWG NO.	420065P00	REV	2	<p>SCALE: 4:1</p> <p>DO NOT SCALE DWG</p> <p>SHEET 1 of 1</p>														
NEXT ASSY	USED ON																										
SIZE	56586	DWG NO.	420065P00	REV	2																						