

4

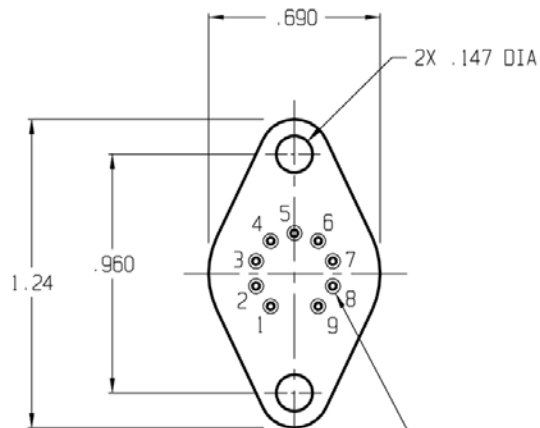
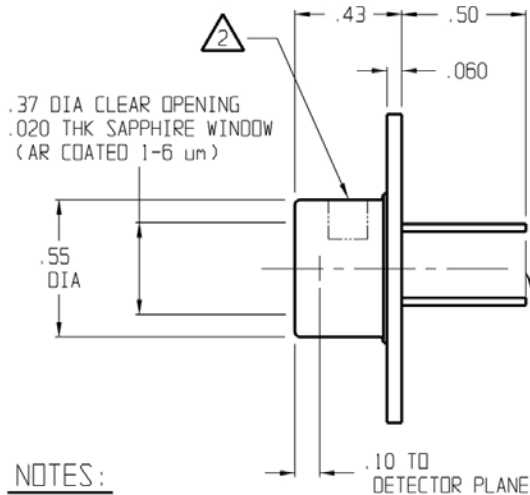
3

2

1

REVISIONS

REV	DESCRIPTION	DATE	APPROVED
0	INITIAL RELEASE	11/28/97	OG/JAH
1	REDRAWN IN CADKEY FORMAT PER DCN 400800	03/18/98	OG/JAH
2	CHANGES PER DCN 401538	04/29/99	FC/HD



PIN CHART

PIN	FUNCTION	COLOR CODE
1	COOLER (+)	RED
2	CASE (GND)	CLEAR
3	DETECTOR (+)	GREEN
4	DETECTOR (-)	WHITE
5	THERMISTOR	YELLOW
6		
7	N/C	CLEAR
8		
9	COOLER (-)	BLACK

NOTES:

- PIN NUMBERS FOR REF ONLY.
- PRODUCT MARKING.
- MATES WITH P/N 300359 SOCKET, TO-66, 9-PIN.
- WINDOW MATERIAL: SAPPHIRE AR COATED
- DETECTOR ACTIVE AREA IS 1.5 mm DIA.

- DETECTOR SPECIFICATIONS:
PACKAGE SPECIFICATION: TO-66
ACTIVE AREA SIZE: 1.5 mm DIAMETER
DETECTOR TESTED AT (DEGREES CELSIUS): -65 °C
RESPONSE (A/W) AT 1.3 μm : =>1.30
PEAK RESPONSE (A/W): =>1.5 A/W
DETECTOR SHUNT IMPEDANCE(-65 °C): =>5.0 kohms
DETECTIVITY (PEAK, 1.0KHz, 1Hz): =>1.0E11
DETECTOR LINEAR TO (nA): =>2.0

BACKGROUND
PINS OMITTED
FOR CLARITY

BOTTOM VIEW

UNLESS OTHERWISE SPECIFIED: DIMENSIONS ARE IN INCHES:		DATE	11/19/97	TELEDYNE JUDSON TECHNOLOGIES <small>A Teledyne Technologies Company</small>		221 COMMERCE DRIVE MONTGOMERYVILLE, PA 18936	
TOLERANCES		DESIGN	K.F.M.	TITLE			
DECIMALS	ANGULAR	CHECK	DRHAN GINGIS	J12TE3-66D-R1.5M			
.X ± .02	± 1/2°	DATE	J.E.	SIZE	B	DWG NO.	420063P00
.XX ± .01		PROJECT	N/A	REV	2		
.XXX ± .005		DATE		SCALE 2:1			
		FIG. APPROV.	ROBERT O'LEARY	DO NOT SCALE DWG			
		DATE	3/17/98	SHEET 1 of 1			
		QA APPROV.	J HALL				
		DATE	3/17/98				
NEXT ASSY	USED ON	THIRD ANGLE PROJECTION					

4

3

2

1