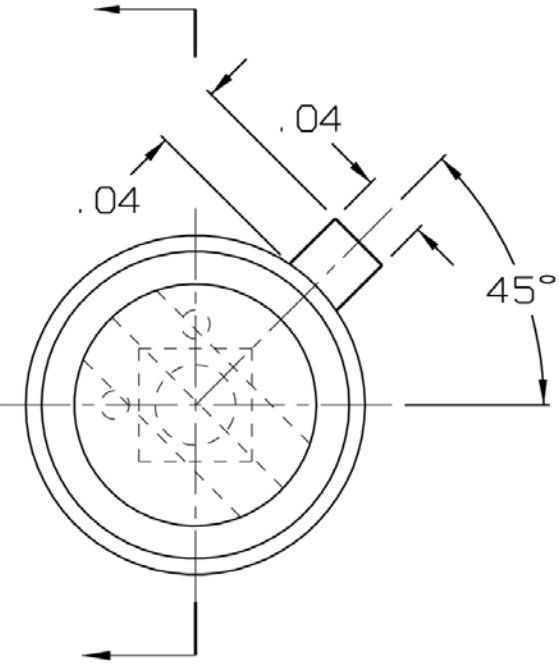
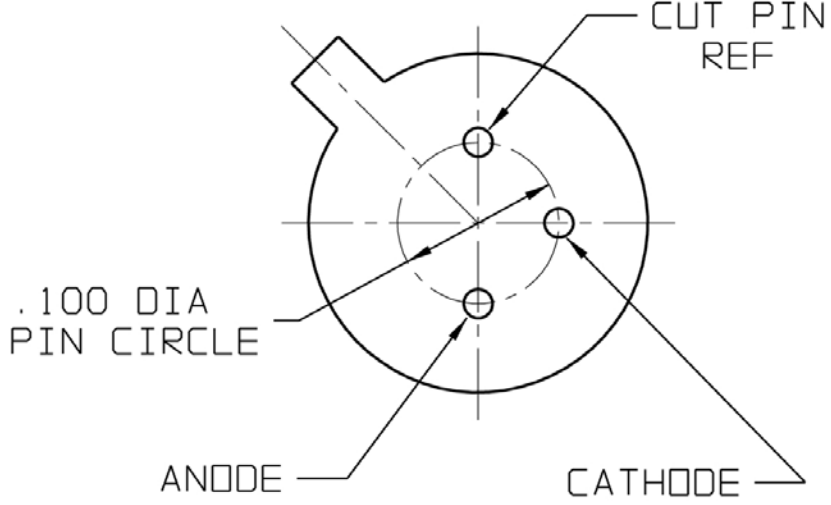
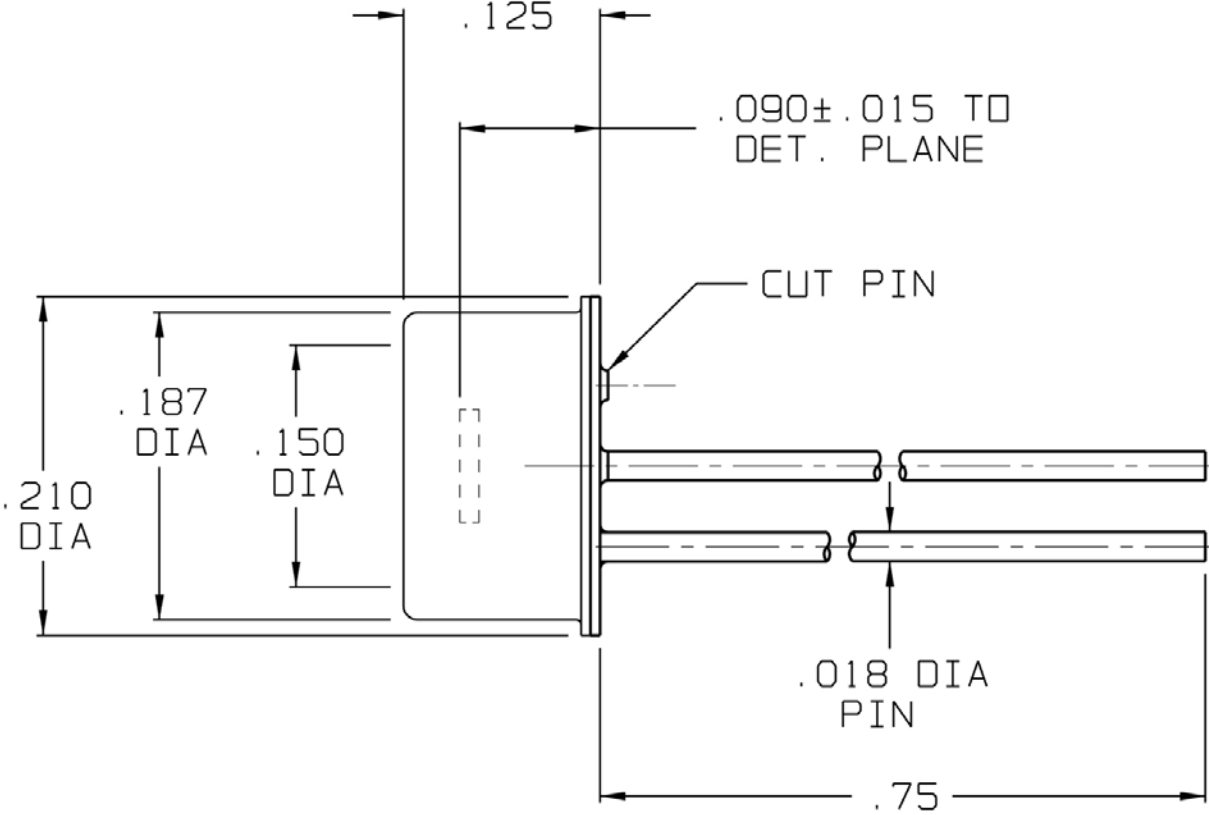


| REVISIONS |                 |          |          |
|-----------|-----------------|----------|----------|
| REV       | DESCRIPTION     | DATE     | APPROVED |
| 0         | INITIAL RELEASE | 03/29/00 | WR/DFG   |



TOP VIEW



BOTTOM VIEW

NOTES:

1. DETECTOR CENTERED WITHIN  $\pm .005$  ON BASE.
2. SPECIFICATIONS:  
MATERIAL TYPE:  
ACTIVE AREA SIZE:  
PACKAGE SPECIFICATION:  
  
DETECTOR SPECIFICATION AT:  
MINIMUM RESPONSE PEAK:  
MINIMUM DETECTOR SHUNT IMPEDANCE AT  $V_r$  10mV: 15 ohms  
MINIMUM  $D^*$  PEAK AT 1KHz:  
WINDOW MATERIAL:

InAs  
1.0 mm DIA  
TO-18  
  
22 °C  
1.0 A/W  
6.0E09  
SAPPHIRE

|   |         |
|---|---------|
| UNLESS OTHERWISE SPECIFIED:<br>DIMENSIONS ARE IN INCHES:<br><b>TOLERANCES</b> |         |
| DECIMALS  | ANGULAR |
| .X ±.02   | ± 1/2°  |
| .XX ±.01  |         |
| .XXX ±.005  |         |
| NEXT ASSY   | USED ON |

|            |               |      |           |
|------------|---------------|------|-----------|
| DRAWN      | K.F.M.        | DATE | 03/29/00  |
| DESIGN     | K.F.MARSHALL  | DATE | 3/29/00   |
| CHECK      | FRANK CECI    | DATE | 3/30/2000 |
| PROJECT    | N/A           | DATE | -----     |
| MFG APPRVL | WILLIAM ROLLS | DATE | 4/3/00    |
| QA APPRVL  | D.F.GREENE    | DATE | 4/3/00    |

|   |     |   |           |
|---|-----|---|-----------|
| TELEDYNE JUDSON TECHNOLOGIES<br>A Teledyne Technologies Company |     | 221 COMMERCE DRIVE<br>MONTGOMERYVILLE, PA 18936 |           |
| TITLE<br><b>J12-18C-R01M</b>                                    |     |   |           |
| SIZE  | B   | DWG NO.   | 420003POD |
| REV   | 0   | SHEET 1 of 1                                    |           |
| SCALE   | 8:1 | DO NOT SCALE DWG                                |           |

D

C

B

A

D

C

B

A

4

3

2

1

4

3

2

1