

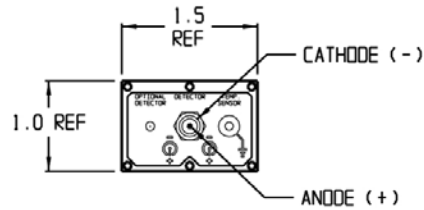
4

3

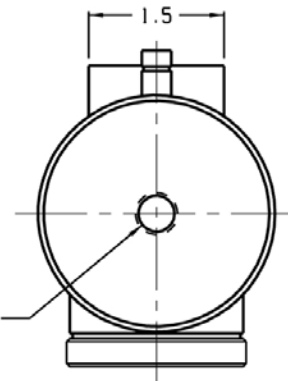
2

1

REVISIONS			
REV	DESCRIPTION	DATE	APPROVED
0	INITIAL RELEASE	06/11/02	00/DFG

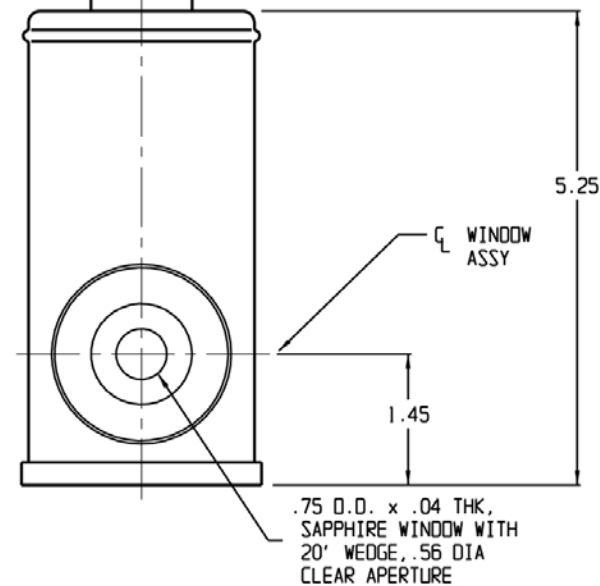
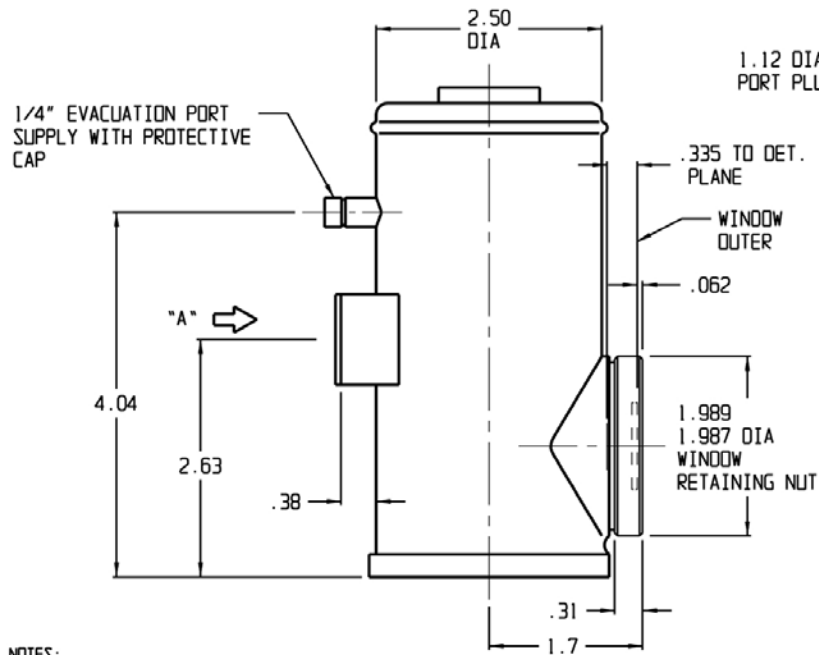


VIEW "A"



1/8" NPT FILL PORT
SHOWN WITH FILL
PORT PLUG REMOVED

1.12 DIA FILL
PORT PLUG



NOTES:

1. SPECIFICATION FOR PHOTOVOLTAIC InSb DETECTOR
MATERIAL TYPE: InSb
ACTIVE AREA SIZE: 0.5 mm DIA

DETECTOR SPECIFICATIONS:
77 KELVIN
MINIMUM D* (PEAK, 1KHz, 1Hz): 1.0E11 cmHz/2 W-1
MINIMUM PEAK RESPONSE: 3.0 A/W
MINIMUM SHUNT IMPEDANCE: 1.0 Mohms
MAXIMUM POWER ON DETECTOR: 1 JOULE cm-2
FIELD OF VIEW: 60°
WINDOW MATERIAL TYPE: SAPPHIRE WEDGED/20°
MINIMUM HOLD TIME: 8 HOURS
MAXIMUM N2 FLOW RATE: 120 ML/MIN

UNLESS OTHERWISE SPECIFIED:
DIMENSIONS ARE IN INCHES
TOLERANCES

DECIMALS	ANGULAR
.XX ± .02	± 1/2°
.XX ± .01	
.XXX ± .005	

DRAWN	K.F.M.	DATE	06/11/02
DESIGN	K.F. MARSHALL	DATE	6/11/02
CHECK	FRANK CECI	DATE	6/12/002
PROJECT	N/A	DATE	6/12/02
REG. APPROV.	WILLIAM ROLLS	DATE	6/13/02
QA APPROV.	D.F. GREENE	DATE	6/13/02
THIRD ANGLE PROJECTION			

TELEDYNE JUDSON TECHNOLOGIES
A Teledyne Technologies Company

221 COMMERCE DRIVE
MONTGOMERYVILLE, PA 19003

TITLE		J10D-M204-R500U-60	
SIZE	DWG NO.	REV	
C 56586	400038-2P00	0	
SCALE	DO NOT SCALE DWG		SHEET 1 of 1

4

3

2

1