



**TELEDYNE**  
**JUDSON TECHNOLOGIES**  
A Teledyne Technologies Company

## **Indium Gallium Arsenide Detectors**

***Teledyne Judson Technologies LLC***  
221 Commerce Drive  
Montgomeryville, PA 18936 USA

Tel: 215-368-6900  
Fax: 215-362-6107

Visit us on the web.  
[www.teledynejudson.com](http://www.teledynejudson.com)

## General

The J22 and J23 series are high performance InGaAs detectors operating over the spectral range from 0.8 $\mu\text{m}$  to 2.6 $\mu\text{m}$ . These detectors provide fast rise time, uniformity of response, excellent sensitivity, and long term reliability for a wide range of applications. For enhanced performance or temperature stability of response near the cutoff wavelength, Teledyne Judson offers a variety of thermoelectrically cooled detector options.

## Device Options

Teledyne Judson's standard InGaAs detectors, the J22 series, offers high reliability and performance in the spectral range from 0.8  $\mu\text{m}$  to 1.7 $\mu\text{m}$ . In addition, the J23 series extended InGaAs detectors are available in four cutoff options at 1.9 $\mu\text{m}$ , 2.2 $\mu\text{m}$ , 2.4 $\mu\text{m}$  and 2.6 $\mu\text{m}$ . Figure 1 shows the typical response for the J22 and J23 series at room temperature operation.

## Package Options

The J22 and J23 series are available in standard TO packages, ceramic sub-mounts, and bare die. We also offer different window materials, lenses or optical filter options. Please refer to pages 6 and 7 for package drawing examples.

For more demanding applications, Teledyne Judson's team of engineers will provide custom design services. Please contact us with your special requirements

## Accessories

For a complete system, Teledyne Judson offers low noise transimpedance amplifier modules, heat sink/preamp assemblies and temperature controllers. For further details, please visit our website.

## Call us

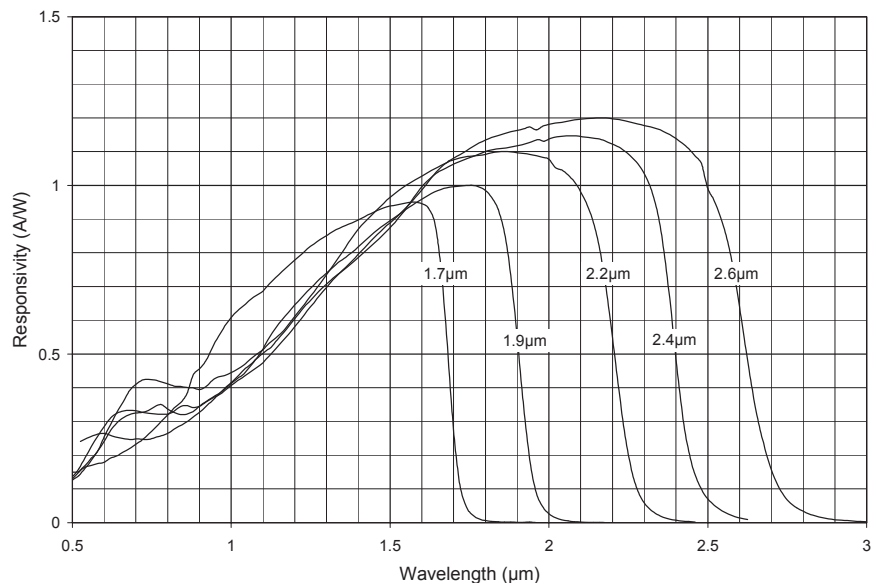
Let our team of application engineers assist you in selecting the best detector design for your application. Or visit our website for additional information on all of Teledyne Judson's products.



## Applications

- Gas analysis
- NIR-FTIR
- Raman spectroscopy
- IR fluorescence
- Blood analysis
- Optical sorting
- Radiometry
- Chemical detection
- Optical communication
- Optical power monitoring
- Laser diode monitoring
- Laser burn-in

Figure 1. Responsivity vs. Wavelength for InGaAs @ 22°C



**Typical Specification @ 22°C**

Detector Model Number	Active Size Diameter (mm)	50% Cutoff Wavelength* (μm)	Peak Wavelength* (μm)	Peak Responsivity (A/W) min	Shunt Impedance (Ohm)		Dark Current (A) @ Vr (max) typ max		Peak D* (cmHz <sup>1/2</sup> /W) @ 1KHz min typ		NEP (W/rt-Hz) @ peak wavelength max typ	
					min	typ	typ	max	min	typ	max	typ
J22-181-R40U	0.040	1.7+/-0.1	1.65+/-0.10	0.90	4.0E+08	1.5E+09	3.0E-11	3.0E-10	5.0E+11	1.0E+12	7.1E-15	3.5E-15
J22-181-R75U	0.075				2.5E+08	1.0E+09	4.0E-11	4.0E-10	7.4E+11	1.5E+12	9.0E-15	4.5E-15
J22-181-R250U	0.250				1.5E+08	6.0E+08	1.0E-10	1.0E-09	1.9E+12	3.8E+12	1.2E-14	5.8E-15
J22-181-R500U	0.500				5.0E+07	2.0E+08	2.5E-10	2.5E-09	2.2E+12	4.4E+12	2.0E-14	1.0E-14
J22-181-R01M	1.000				1.5E+07	6.0E+07	1.0E-09	1.0E-08	2.4E+12	4.8E+12	3.7E-14	1.8E-14
J22-51-R02M	2.000				4.0E+06	1.6E+07	4.0E-09	4.0E-08	2.5E+12	5.0E+12	7.1E-14	3.5E-14
J23-181-R250U-1.9	0.25	1.9+/-0.1	1.75+/-0.10	1.00	8.0E+06	1.6E+07	1.0E-08	1.0E-07	4.9E+11	6.9E+11	4.5E-14	3.2E-14
J23-181-R500U-1.9	0.50				2.6E+06	5.2E+06	3.0E-08	3.0E-07	5.6E+11	7.9E+11	7.9E-14	5.6E-14
J23-181-R01M-1.9	1.00				8.0E+05	1.6E+06	1.0E-07	1.0E-06	6.2E+11	8.8E+11	1.4E-13	1.0E-13
J23-51-R02M-1.9	2.00				1.5E+05	3.0E+05	4.0E-07	4.0E-06	5.4E+11	7.6E+11	3.3E-13	2.8E-13
J23-51-R03M-1.9	3.00				4.5E+04	9.0E+04	1.0E-06	1.0E-05	4.4E+11	6.3E+11	6.0E-13	4.3E-13
J23-181-R250U-2.2	0.25	2.2+/-0.1	1.90+/-0.10	1.10	5.0E+05	1.0E+06	1.0E-07	1.0E-06	1.4E+11	1.9E+11	1.6E-13	1.2E-13
J23-181-R500U-2.2	0.50				1.7E+05	3.4E+05	3.0E-07	3.0E-06	1.6E+11	2.2E+11	2.8E-13	2.0E-13
J23-181-R01M-2.2	1.00				5.0E+04	1.0E+05	1.0E-06	1.0E-05	1.7E+11	2.4E+11	5.2E-13	3.7E-13
J23-51-R02M-2.2	2.00				1.0E+04	2.0E+04	4.0E-06	4.0E-05	1.5E+11	2.2E+11	1.2E-12	8.2E-13
J23-51-R03M-2.2	3.00				3.0E+03	6.0E+03	1.0E-05	1.0E-04	1.3E+11	1.8E+11	2.1E-12	1.5E-12
J23-181-R250U-2.4	0.25	2.4+/-0.1	2.15+/-0.10	1.15	1.0E+05	2.0E+05	3.5E-07	3.5E-06	6.3E+10	8.9E+10	3.5E-13	2.5E-13
J23-181-R500U-2.4	0.50				3.3E+04	6.6E+04	1.0E-06	1.0E-05	7.3E+10	1.0E+11	6.1E-13	4.3E-13
J23-181-R01M-2.4	1.00				1.0E+04	2.0E+04	3.5E-06	3.5E-05	8.0E+10	1.1E+11	1.1E-12	7.8E-13
J23-51-R02M-2.4	2.00				2.0E+03	4.0E+03	1.5E-05	1.5E-04	7.1E+10	1.0E+11	2.5E-12	1.8E-12
J23-51-R03M-2.4	3.00			6.5E+02	1.3E+03	3.5E-05	3.5E-04	5.8E+10	8.3E+10	4.6E-12	3.2E-12	
J23-181-R250U-2.6	0.25	2.6+/-0.1	2.25+/-0.10	1.20	2.5E+04	5.0E+04	1.0E-06	1.0E-05	3.3E+10	4.7E+10	6.7E-13	4.8E-13
J23-181-R500U-2.6	0.50				8.0E+03	1.6E+04	3.0E-06	3.0E-05	3.7E+10	5.3E+10	1.2E-12	8.4E-13
J23-181-R01M-2.6	1.00				2.5E+03	5.0E+03	1.0E-05	1.0E-04	4.2E+10	5.9E+10	2.1E-12	1.5E-12
J23-51-R02M-2.6	2.00				5.0E+02	1.0E+03	4.0E-05	4.0E-04	3.7E+10	5.3E+10	4.8E-12	3.4E-12
J23-51-R03M-2.6	3.00			1.6E+02	3.2E+02	1.0E-04	1.0E-03	2.9E+10	4.1E+10	9.2E-12	6.5E-12	

\* Tighter tolerance for cutoff and peak wavelengths may be available upon customer request. All specifications are for detector operation at 0V bias and 22C unless otherwise specified.

**1.7μm Cutoff Thermoelectrically Cooled InGaAs Detectors**

Detector Model Number	Active Size Diameter (mm)	Operating Temp. (°C)	50% Cutoff Wavelength (μm)	Responsivity @ 1.55μm (A/W) min	Shunt Impedance (Ohm)		Peak D* (Jones) min typ		NEP (W/rt-Hz) @ peak wavelength max typ		Capacitance (pF) @ 0V typ
					min	typical	typ	max	typ		
J22TE1-66C-R01M	1	-20	1.63	0.9	7.5E+08	3.0E+09	1.8E+13	3.7E+13	4.8E-15	2.4E-15	125
J22TE1-66C-R02M	2	-20	1.63	0.9	1.8E+08	7.2E+08	1.8E+13	3.6E+13	9.8E-15	4.9E-15	500
J22TE1-66C-R03M	3	-20	1.63	0.9	6.5E+07	2.6E+08	1.6E+13	3.3E+13	1.6E-14	8.1E-15	1200
J22TE1-66C-R05M	5	-20	1.63	0.9	2.0E+07	8.0E+07	1.5E+13	3.0E+13	2.9E-14	1.5E-14	3200
J22TE2-66C-R01M	1	-40	1.62	0.9	5.0E+09	2.0E+10	5.0E+13	9.9E+13	1.8E-15	8.9E-16	125
J22TE2-66C-R02M	2	-40	1.62	0.9	1.1E+09	4.4E+09	4.7E+13	9.3E+13	3.8E-15	1.9E-15	500
J22TE2-66C-R03M	3	-40	1.62	0.9	4.0E+08	1.6E+09	4.2E+13	8.4E+13	6.3E-15	3.2E-15	1200
J22TE2-66C-R05M	5	-40	1.62	0.9	1.2E+08	4.8E+08	3.9E+13	7.7E+13	1.2E-14	5.8E-15	3200

All specifications are for detector operation at 0V bias and 22C unless otherwise specified.

**1.9µm Cutoff Thermoelectrically Cooled Extended InGaAs Detectors**

Detector Model Number	Active Size Diameter (mm)	Operating Temp. (°C)	50% Cutoff Wavelength* (µm)	Peak Responsivity (A/W) min	Shunt Impedance (Ohm)		Peak D* (cmHz <sup>1/2</sup> /W) @ 1KHz		NEP (W/rt-Hz) @ peak wavelength		Capacitance (pF) @ 0V typ
					min	typ	min	typ	max	typ	
J23TE1-66C-R250U-1.9	0.25	-20	1.85+/-0.10	1.0	2.8E+08	5.6E+08	3.1E+12	4.4E+12	7.1E-15	5.0E-15	75
J23TE1-66C-R500U-1.9	0.50				1.0E+08	2.0E+08	3.7E+12	5.3E+12	1.2E-14	8.4E-15	250
J23TE1-66C-R01M-1.9	1.00				3.0E+07	6.0E+07	4.1E+12	5.8E+12	2.2E-14	1.5E-14	1000
J23TE1-66C-R02M-1.9	2.00				5.5E+06	1.1E+07	3.5E+12	5.0E+12	5.0E-14	3.6E-14	4000
J23TE1-66C-R03M-1.9	3.00				1.5E+06	3.0E+06	2.8E+12	3.9E+12	9.6E-14	6.8E-14	9000
J23TE2-66C-R250U-1.9	0.25	-40	1.83+/-0.10	1.0	1.4E+09	2.8E+09	7.3E+12	1.0E+13	3.0E-15	2.1E-15	75
J23TE2-66C-R500U-1.9	0.50				5.2E+08	1.0E+09	8.9E+12	1.3E+13	5.0E-15	3.5E-15	250
J23TE2-66C-R01M-1.9	1.00				1.6E+08	3.2E+08	9.9E+12	1.4E+13	9.0E-15	6.3E-15	1000
J23TE2-66C-R02M-1.9	2.00				2.6E+07	5.2E+07	8.0E+12	1.1E+13	2.2E-14	1.6E-14	4000
J23TE2-66C-R03M-1.9	3.00				7.5E+06	1.5E+07	6.4E+12	9.1E+12	4.1E-14	2.9E-14	9000
J23TE3-66C-R250U-1.9	0.25	-65	1.82+/-0.10	1.0	8.0E+09	1.6E+10	1.8E+13	2.6E+13	1.2E-15	8.5E-16	75
J23TE3-66C-R500U-1.9	0.50				3.5E+09	7.0E+09	2.4E+13	3.5E+13	1.8E-15	1.3E-15	250
J23TE3-66C-R01M-1.9	1.00				1.2E+09	2.4E+09	2.9E+13	4.1E+13	3.1E-15	2.2E-15	1000
J23TE3-66C-R02M-1.9	2.00				1.7E+08	3.4E+08	2.2E+13	3.1E+13	8.2E-15	5.8E-15	4000
J23TE3-66C-R03M-1.9	3.00				4.0E+07	8.0E+07	1.6E+13	2.2E+13	1.7E-14	1.2E-14	9000
J23TE4-3CN-R250U-1.9	0.25	-85	1.81+/-0.10	1.0	3.2E+10	6.4E+10	3.9E+13	5.5E+13	5.7E-16	4.0E-16	75
J23TE4-3CN-R500U-1.9	0.50				1.6E+10	3.2E+10	5.5E+13	7.8E+13	8.1E-16	5.7E-16	250
J23TE4-3CN-R01M-1.9	1.00				6.0E+09	1.2E+10	6.7E+13	9.5E+13	1.3E-15	9.3E-16	1000
J23TE4-3CN-R02M-1.9	2.00				7.0E+08	1.4E+09	4.6E+13	6.5E+13	3.9E-15	2.7E-15	4000
J23TE4-3CN-R03M-1.9	3.00				1.5E+08	3.0E+08	3.2E+13	4.5E+13	8.3E-15	5.9E-15	9000

\* Tighter tolerance for cutoff and peak wavelengths may be available upon customer request. All specifications are for detector operation at 0V bias and 22C unless otherwise specified.

**2.2µm Cutoff Thermoelectrically Cooled Extended InGaAs Detectors**

Detector Model Number	Active Size Diameter (mm)	Operating Temp. (°C)	50% Cutoff Wavelength* (µm)	Peak Responsivity (A/W) min	Shunt Impedance (Ohm)		Peak D* (cmHz <sup>1/2</sup> /W) @ 1KHz		NEP (W/rt-Hz) @ peak wavelength		Capacitance (pF) @ 0V typ
					min	typ	min	typ	max	typ	
J23TE1-66C-R250U-2.2	0.25	-20	2.14+/-0.10	1.1	1.1E+07	2.2E+07	6.8E+11	9.7E+11	3.2E-14	2.3E-14	75
J23TE1-66C-R500U-2.2	0.50				4.0E+06	8.0E+06	8.2E+11	1.2E+12	5.4E-14	3.8E-14	250
J23TE1-66C-R01M-2.2	1.00				1.2E+06	2.4E+06	9.0E+11	1.3E+12	9.8E-14	6.9E-14	1000
J23TE1-66C-R02M-2.2	2.00				2.2E+05	4.4E+05	7.7E+11	1.1E+12	2.3E-13	1.6E-13	4000
J23TE1-66C-R03M-2.2	3.00				6.2E+04	1.2E+05	6.2E+11	8.7E+11	4.3E-13	3.1E-13	9000
J23TE2-66C-R250U-2.2	0.25	-40	2.11+/-0.10	1.1	4.8E+07	9.6E+07	1.5E+12	2.1E+12	1.5E-14	1.1E-14	75
J23TE2-66C-R500U-2.2	0.50				1.8E+07	3.6E+07	1.8E+12	2.6E+12	2.4E-14	1.7E-14	250
J23TE2-66C-R01M-2.2	1.00				5.5E+06	1.1E+07	2.0E+12	2.9E+12	4.4E-14	3.1E-14	1000
J23TE2-66C-R02M-2.2	2.00				9.5E+05	1.9E+06	1.7E+12	2.4E+12	1.1E-13	7.5E-14	4000
J23TE2-66C-R03M-2.2	3.00				2.6E+05	5.2E+05	1.3E+12	1.9E+12	2.0E-13	1.4E-13	9000
J23TE3-66C-R250U-2.2	0.25	-65	2.09+/-0.10	1.1	2.6E+08	5.2E+08	3.7E+12	5.2E+12	6.0E-15	4.3E-15	75
J23TE3-66C-R500U-2.2	0.50				1.1E+08	2.2E+08	4.8E+12	6.7E+12	9.3E-15	6.6E-15	250
J23TE3-66C-R01M-2.2	1.00				3.5E+07	7.0E+07	5.4E+12	7.6E+12	1.6E-14	1.4E-14	1000
J23TE3-66C-R02M-2.2	2.00				5.5E+06	1.1E+07	4.3E+12	6.0E+12	4.2E-14	2.9E-14	4000
J23TE3-66C-R03M-2.2	3.00				1.3E+06	2.6E+06	3.1E+12	4.4E+12	8.5E-14	6.0E-14	9000
J23TE4-3CN-R250U-2.2	0.25	-85	2.07+/-0.10	1.1	9.5E+08	1.9E+09	7.4E+12	1.0E+13	3.0E-15	2.1E-15	75
J23TE4-3CN-R500U-2.2	0.50				4.5E+08	9.0E+08	1.0E+13	1.4E+13	4.4E-15	3.1E-15	250
J23TE4-3CN-R01M-2.2	1.00				1.5E+08	3.0E+08	1.2E+13	1.7E+13	7.6E-14	5.3E-15	1000
J23TE4-3CN-R02M-2.2	2.00				2.1E+07	4.2E+07	8.8E+12	1.2E+13	2.0E-14	1.4E-14	4000
J23TE4-3CN-R03M-2.2	3.00				4.5E+06	9.0E+06	6.1E+12	8.6E+12	4.4E-14	3.1E-14	9000

\* Tighter tolerance for cutoff and peak wavelengths may be available upon customer request. All specifications are for detector operation at 0V bias and 22C unless otherwise specified.

**2.4µm Cutoff Thermoelectrically Cooled Extended InGaAs Detectors**

Detector Model Number	Active Size Diameter (mm)	Operating Temp. (°C)	50% Cutoff Wavelength* (µm)	Peak Responsivity (A/W) min	Shunt Impedance (Ohm)		Peak D* (cmHz <sup>1/2</sup> /W) @ 1KHz		NEP (W/rt-Hz) @ peak wavelength		Capacitance (pF) @ 0V typ
					min	typ	min	typ	max	typ	
J23TE1-66C-R250U-2.4	0.25	-20	2.34+/-0.10	1.15	2.7E+06	5.4E+06	3.5E+11	5.0E+11	6.3E-14	4.4E-14	75
J23TE1-66C-R500U-2.4	0.50				1.0E+06	2.0E+06	4.3E+11	6.1E+11	1.0E-13	7.3E-14	250
J23TE1-66C-R01M-2.4	1.00				3.0E+05	6.0E+05	4.7E+11	6.7E+11	1.9E-13	1.3E-13	1000
J23TE1-66C-R02M-2.4	2.00				5.0E+04	1.0E+05	3.9E+11	5.5E+11	4.6E-13	3.2E-13	4000
J23TE1-66C-R03M-2.4	3.00				1.5E+04	3.0E+04	3.2E+11	4.5E+11	8.4E-13	5.9E-13	9000
J23TE2-66C-R250U-2.4	0.25	-40	2.31+/-0.10	1.15	1.2E+07	2.4E+07	7.8E+11	1.1E+12	2.8E-14	2.0E-14	75
J23TE2-66C-R500U-2.4	0.50				4.5E+06	9.0E+06	9.5E+11	1.3E+12	4.6E-14	3.3E-14	250
J23TE2-66C-R01M-2.4	1.00				1.5E+06	3.0E+06	1.1E+12	1.6E+12	8.1E-14	5.7E-14	1000
J23TE2-66C-R02M-2.4	2.00				2.3E+05	4.6E+05	8.6E+11	1.2E+12	2.1E-13	1.5E-13	4000
J23TE2-66C-R03M-2.4	3.00				6.3E+04	1.3E+05	6.8E+11	9.6E+11	3.9E-13	2.8E-13	9000
J23TE3-66C-R250U-2.4	0.25	-65	2.29+/-0.10	1.15	4.8E+07	9.6E+07	1.6E+12	2.3E+12	1.3E-14	9.5E-15	75
J23TE3-66C-R500U-2.4	0.50				2.2E+07	4.4E+07	2.2E+12	3.2E+12	2.0E-14	1.4E-14	250
J23TE3-66C-R01M-2.4	1.00				7.5E+06	1.5E+07	2.6E+12	3.7E+12	3.4E-14	2.4E-14	1000
J23TE3-66C-R02M-2.4	2.00				1.0E+06	2.0E+06	1.9E+12	2.7E+12	9.3E-14	6.6E-14	4000
J23TE3-66C-R03M-2.4	3.00				2.5E+05	5.0E+05	1.4E+12	2.0E+12	1.9E-13	1.3E-13	9000
J23TE4-3CN-R250U-2.4	0.25	-85	2.27+/-0.10	1.15	1.5E+08	3.0E+08	3.1E+12	4.3E+12	7.2E-15	5.1E-15	75
J23TE4-3CN-R500U-2.4	0.50				6.6E+07	1.3E+08	4.1E+12	5.7E+12	1.1E-14	7.7E-15	250
J23TE4-3CN-R01M-2.4	1.00				2.5E+07	5.0E+07	5.0E+12	7.1E+12	1.8E-14	1.3E-14	1000
J23TE4-3CN-R02M-2.4	2.00				3.1E+06	6.2E+06	3.5E+12	5.0E+12	5.0E-14	3.6E-14	4000
J23TE4-3CN-R03M-2.4	3.00				8.0E+05	1.6E+06	2.7E+12	3.8E+12	9.9E-14	7.0E-14	9000

\* Tighter tolerance for cutoff and peak wavelengths may be available upon customer request. All specifications are for detector operation at 0V bias and 22C unless otherwise specified.

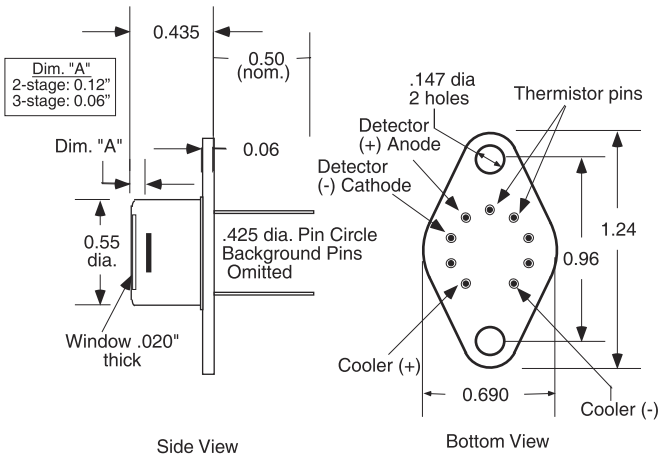
**2.6µm Cutoff Thermoelectrically Cooled Extended InGaAs Detectors**

Detector Model Number	Active Size Diameter (mm)	Operating Temp. (°C)	50% Cutoff Wavelength* (µm)	Peak Responsivity (A/W) min	Shunt Impedance (Ohm)		Peak D* (cmHz <sup>1/2</sup> /W) @ 1KHz		NEP (W/rt-Hz) @ peak wavelength		Capacitance (pF) @ 0V typ
					min	typ	min	typ	max	typ	
J23TE1-66C-R250U-2.6	0.25	-20	2.52+/-0.10	1.2	7.0E+05	1.4E+06	1.9E+11	2.7E+11	1.2E-13	8.3E-14	75
J23TE1-66C-R500U-2.6	0.50				2.6E+05	5.2E+05	2.3E+11	3.2E+11	1.9E-13	1.4E-13	250
J23TE1-66C-R01M-2.6	1.00				8.0E+04	1.6E+05	2.5E+11	3.6E+11	3.5E-13	2.5E-13	1000
J23TE1-66C-R02M-2.6	2.00				1.3E+04	2.6E+04	2.1E+11	2.9E+11	8.6E-13	6.1E-13	4000
J23TE1-66C-R03M-2.6	3.00				3.5E+03	7.0E+03	1.6E+11	2.3E+11	1.7E-12	1.2E-12	9000
J23TE2-66C-R250U-2.6	0.25	-40	2.48+/-0.10	1.2	3.0E+06	6.0E+06	4.1E+11	5.7E+11	5.5E-14	3.9E-14	75
J23TE2-66C-R500U-2.6	0.50				1.3E+06	2.6E+06	5.3E+11	7.6E+11	8.3E-14	5.9E-14	250
J23TE2-66C-R01M-2.6	1.00				4.0E+05	8.0E+05	5.9E+11	8.4E+11	1.5E-13	1.1E-13	1000
J23TE2-66C-R02M-2.6	2.00				6.0E+04	1.2E+05	4.6E+11	6.5E+11	3.9E-13	2.7E-13	4000
J23TE2-66C-R03M-2.6	3.00				1.5E+04	3.0E+04	3.4E+11	4.9E+11	7.7E-13	5.5E-13	9000
J23TE3-66C-R250U-2.6	0.25	-65	2.45+/-0.10	1.2	1.4E+07	2.8E+07	9.3E+11	1.3E+12	2.4E-14	1.7E-14	75
J23TE3-66C-R500U-2.6	0.50				6.0E+06	1.2E+07	1.2E+12	1.7E+12	3.6E-14	2.6E-14	250
J23TE3-66C-R01M-2.6	1.00				2.0E+06	4.0E+06	1.4E+12	2.0E+12	6.3E-14	4.5E-14	1000
J23TE3-66C-R02M-2.6	2.00				2.9E+05	5.8E+05	1.1E+12	1.5E+12	1.7E-13	1.2E-13	4000
J23TE3-66C-R03M-2.6	3.00				7.0E+04	1.4E+05	7.9E+11	1.1E+12	3.4E-13	2.4E-13	9000
J23TE4-3CN-R250U-2.6	0.25	-85	2.43+/-0.10	1.2	4.0E+07	8.0E+07	1.7E+12	2.3E+12	1.3E-14	9.5E-15	75
J23TE4-3CN-R500U-2.6	0.50				1.8E+07	3.6E+07	2.2E+12	3.1E+12	2.0E-14	1.4E-14	250
J23TE4-3CN-R01M-2.6	1.00				6.0E+06	1.2E+07	2.6E+12	3.6E+12	3.5E-14	2.5E-14	1000
J23TE4-3CN-R02M-2.6	2.00				8.5E+05	1.7E+06	1.9E+12	2.7E+12	9.2E-14	6.5E-14	4000
J23TE4-3CN-R03M-2.6	3.00				2.0E+05	4.0E+05	1.4E+12	2.0E+12	1.9E-13	1.3E-13	9000

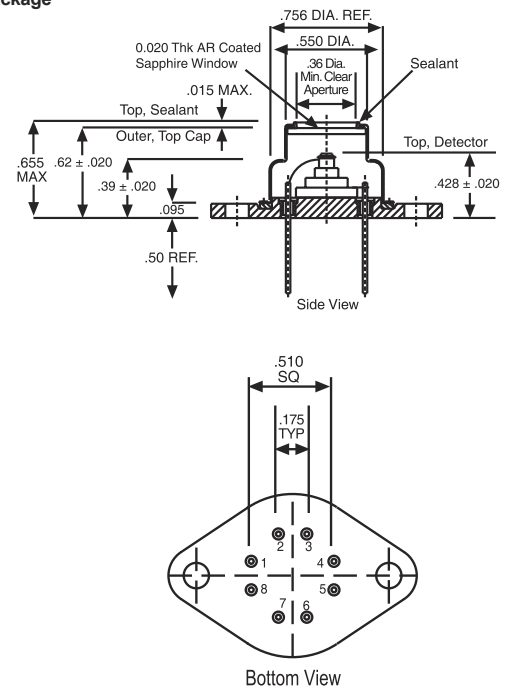
\* Tighter tolerance for cutoff and peak wavelengths may be available upon customer request. All specifications are for detector operation at 0V bias and 22C unless otherwise specified.

**Standard Packages**

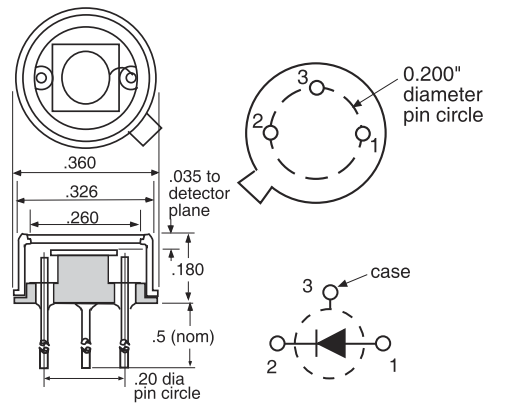
**66C Package: AR coated sapphire window**



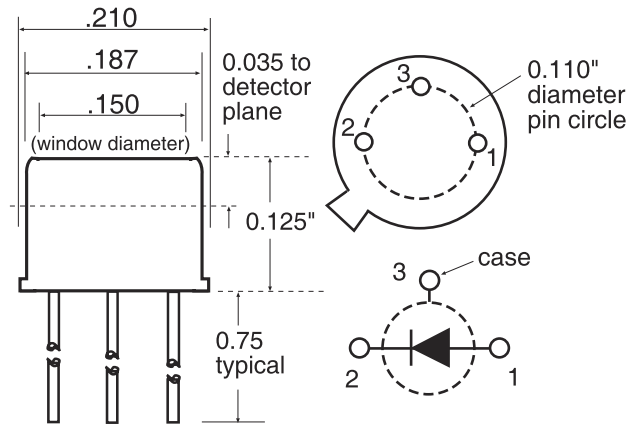
**3CN Package**



**5I Package**

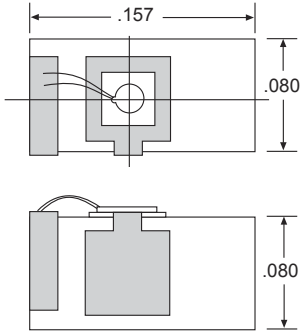


**18I Package**

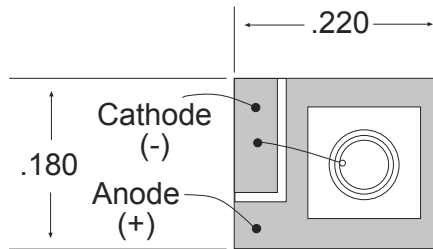


**Optional Packages**

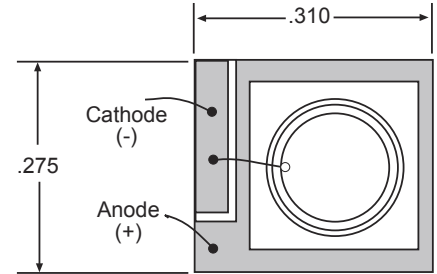
**C02 Package**



**C11 Package**



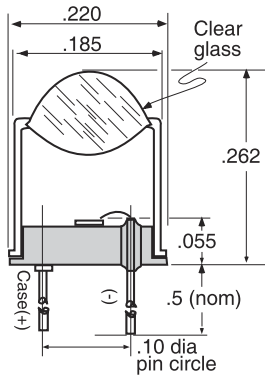
**C12 Package**



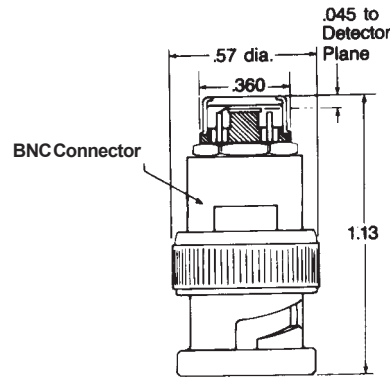
Note: .010 thick ceramic substrate used for both C11 and C12.



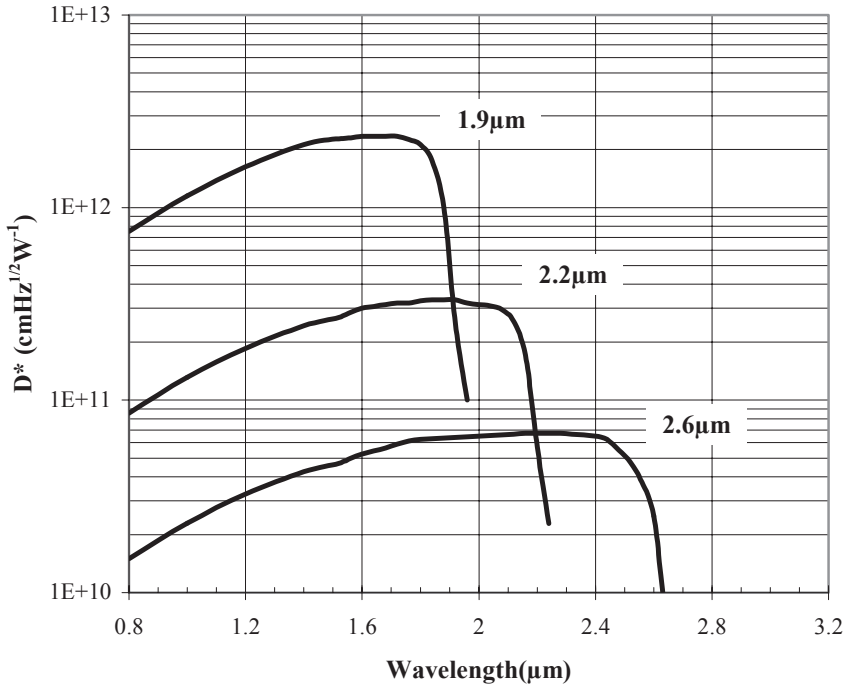
**18D Package**



**LD, LD2 Packages**

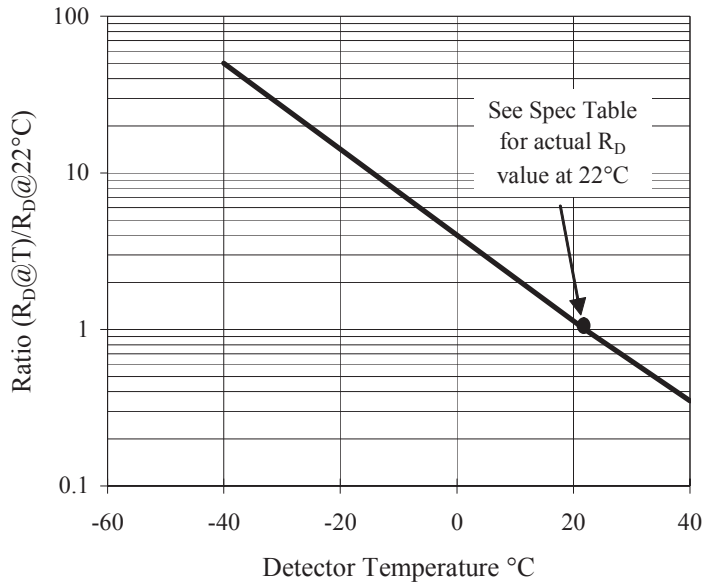


**Figure 2**  
 Typical  $D^*$  vs Wavelength



Parameter	Min	Max	Units
Uniformity of Response @ Peak over Area (25°C)		±2	%
Storage Temperature	-55	+80	°C
Operating Temperature	-55	+60	°C

**Figure 3**  
 Typical Change in Shunt Resistance vs Temperature





In addition to our Extended InGaAs product line, Teledyne Judson Technologies offers a wide range of high performance standard, custom and space qualified detector products and accessories.

- Germanium detectors and arrays
- Indium Arsenide detectors and arrays
- Indium Antimonide detectors and arrays
- Mercury Cadmium Telluride detectors and arrays
- Photovoltaic Mercury Cadmium Telluride detectors and arrays
- Lead Selenide detectors and arrays
- Lead Sulfide detectors and arrays
- Dewars, backfill and vacuum packages
- Thermoelectric, Joule Thomson and closed cycle linear and rotary coolers
- Preamplifiers
- Temperature controllers and readout electronics

Please contact us for more information on these products at 215-368-6900 or on the web at [www.teledynejudson.com](http://www.teledynejudson.com).



221 Commerce Drive  
Montgomeryville, PA 18936 USA  
Tel: 215-368-6900, Fax: 215-362-6107  
[www.teledynejudson.com](http://www.teledynejudson.com)  
September, 2003