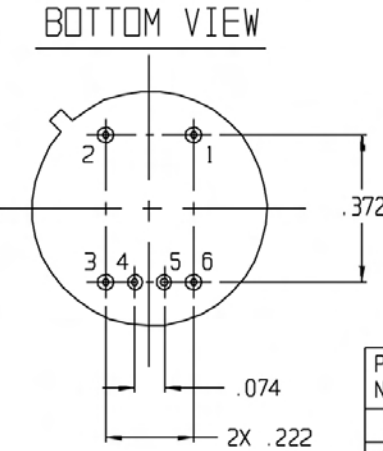
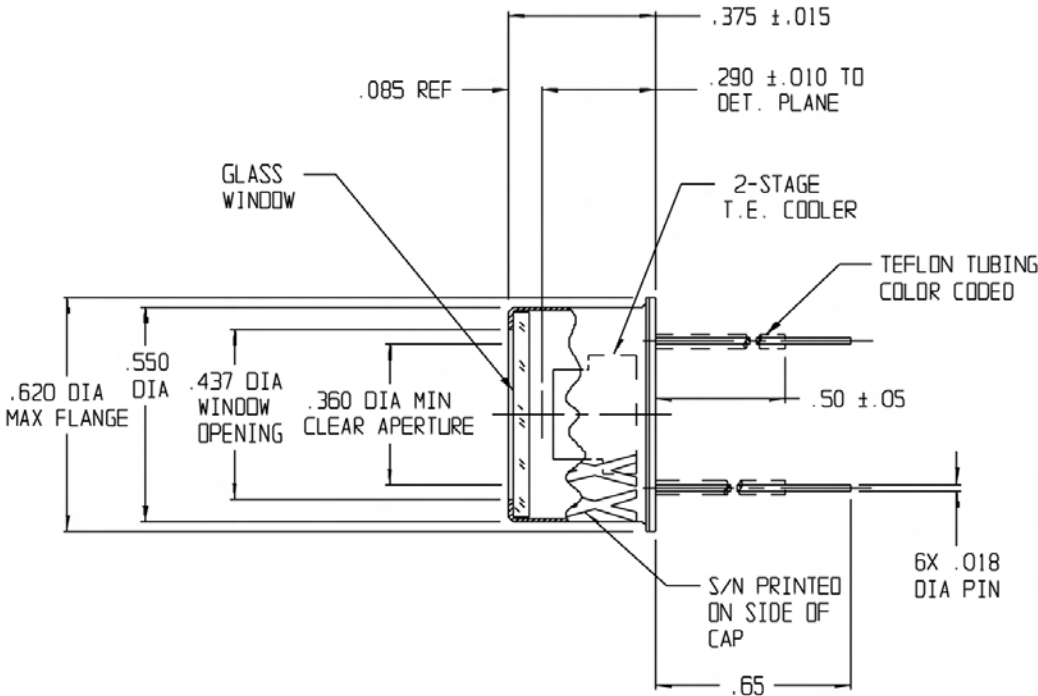


REVISIONS			
REV	DESCRIPTION	DATE	APPROVED
0	INITIAL RELEASE	09/28/99	FC/HD
1	CHANGES PER DCN 402520	05/24/01	WR/DFG



PIN NO.	CONNECTION	COLOR CODE OF TUBING
1	T.E. COOLER (+)	RED
2	T.E. COOLER (-)	BLACK
3	DETECTOR (+)	GREEN
4	THERMISTOR	YELLOW
5	THERMISTOR	
6	DETECTOR (-)	WHITE

NOTE(S):

1. SPECIFICATION FOR A THERMOELECTRICALLY COOLED Ge DETECTOR  
 MATERIAL TYPE: Ge-SC  
 ACTIVE AREA SIZE: 3.0 mm DIA  
 PACKAGE SPECIFICATIONS: TO-8  
 DETECTOR SPECIFICATIONS AT: -30 °C  
 MINIMUM PEAK RESPONSE AT 1.3 um: 0.6 A/W  
 MINIMUM DETECTOR SHUNT IMPEDANCE AT 22 °C: 35 Kohms  
 MINIMUM DETECTOR SHUNT IMPEDANCE: 10.0 Mohms  
 MAXIMUM REVERSE VOLTAGE (Vr): -0.25 V  
 WINDOW MATERIAL: BORSILICATE GLASS

UNLESS OTHERWISE SPECIFIED: DIMENSIONS ARE IN INCHES: TOLERANCES	DECIMALS X ± .02 .XX ± .01 .XXX ± .005	ANGULAR ± 1/2°	DRAWN K.F.M.	DATE 09/28/99
			DESIGN K.F.M.	DATE 9/28/99
			CHECK FRANK CECI	DATE 9/28/99
			PROJECT N/A	DATE -----
			ENGR APPROV. WILLIAM ROLLS	DATE 9/28/99
			QA APPROV. HOAN DUONG	DATE 0/20/00
NEXT ASSY	USED ON	THIRD ANGLE PROJECTION		

TELEDYNE JUDSON TECHNOLOGIES  
 A Teledyne Technologies Company  
 221 CONMERCE DRIVE  
 HONT GOMERYVILLE, PA. USA 18936

TITLE  
**J16TE2-8A6-R03M-SC**

SIZE  
**8 56586**

DWG NO.  
**460260P00**

REV  
**1**

SCALE 3:1 DD NOT SCALE DWG SHEET 1 of 1