

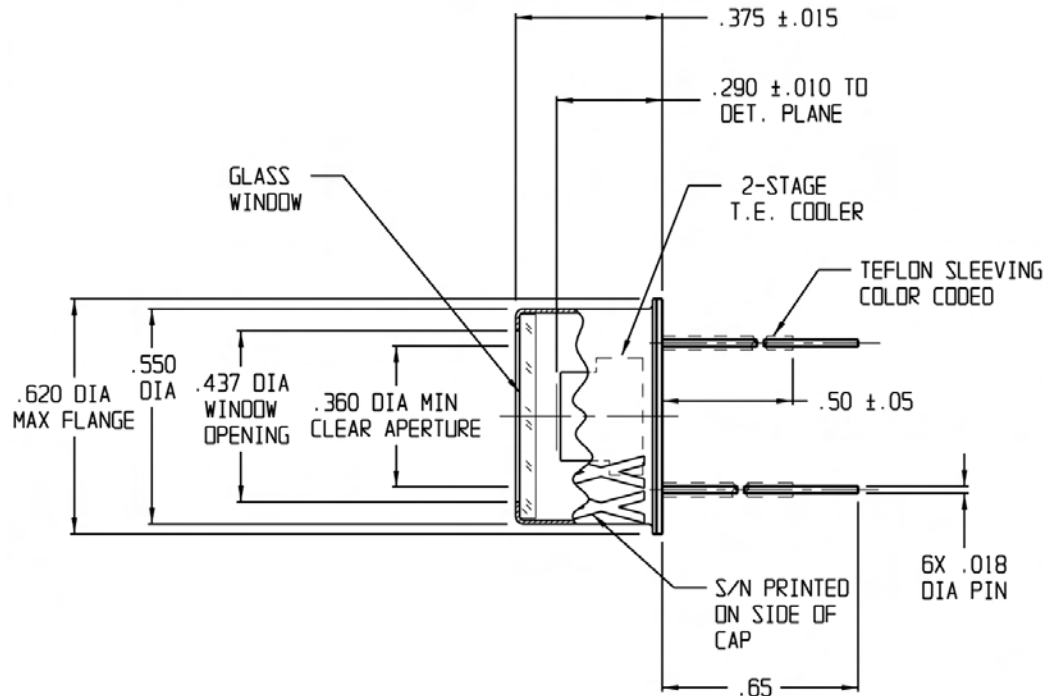
4

3

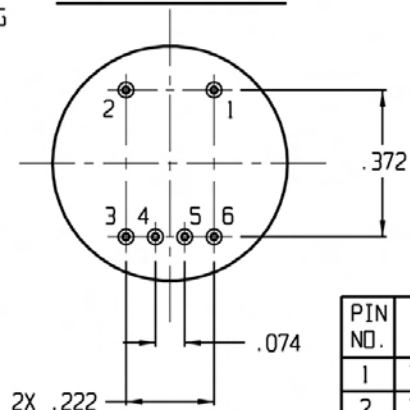
2

1

REVISIONS			
REV	DESCRIPTION	DATE	APPROVED
0	INITIAL RELEASE	07/11/01	WR/DFG
1	CHANGES PER DCN 403251	11/26/02	WR/DFG



BOTTOM VIEW



PIN NO.	CONNECTION	COLOR CODE OF TUBING
1	T.E. COOLER (+)	RED
2	T.E. COOLER (-)	BLACK
3	DETECTOR ANODE (+)	GREEN
4	THERMISTOR	YELLOW
5	THERMISTOR	
6	DETECTOR CATHODE (-)	WHITE

## NOTE(S):

- SPECIFICATION FOR A THERMOELECTRICALLY COOLED Ge DETECTOR  
 MATERIAL TYPE: Ge-HS  
 ACTIVE AREA SIZE: 2.0 mm DIA  
 PACKAGE SPECIFICATIONS: TO-8  
 DETECTOR SPECIFICATIONS AT: -30 °C  
 MINIMUM PEAK RESPONSE AT 1.3 um: 0.6 A/W  
 MINIMUM DETECTOR SHUNT IMPEDANCE AT 22 °C: 25 Kohms  
 MINIMUM DETECTOR SHUNT IMPEDANCE: 5.0 Mohms  
 WINDOW MATERIAL: BORSILICATE GLASS

UNLESS OTHERWISE SPECIFIED:  
 DIMENSIONS ARE IN INCHES:  
**TOLERANCES**

DECIMALS	ANGULAR
.X ± .02	± 1/2°
.XX ± .01	
.XXX ± .005	

DATE	BY	APPROVAL
07/11/01	K.F.M.	DESIGN
7/12/01	K.F. MARSHALL	CHECK
7/12/2001	FRANK CECI	PROJECT
-----	N/A	DATE
7/12/01	WILLIAM ROLLS	DATE
7/12/01	O.F. GREENE	DATE

DATE	07/11/01
DATE	7/12/01
DATE	7/12/2001
DATE	-----
DATE	7/12/01
DATE	7/12/01

			221 COMMERCE DRIVE MONTGOMERYVILLE, PA 18936		
TITLE					
J16TE2-8A6-R02M-HS					
SIZE	B	DWG NO.	56586	REV	1
SCALE			DO NOT SCALE DWG		
3:1			SHEET 1 of 1		

4

3

2

1