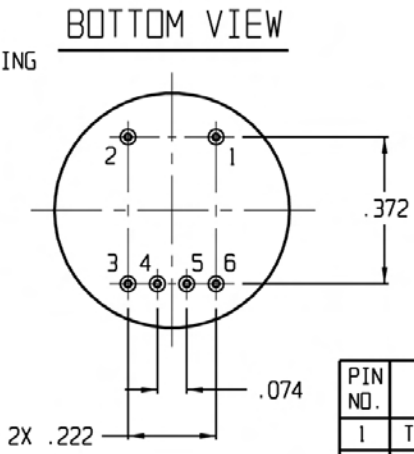
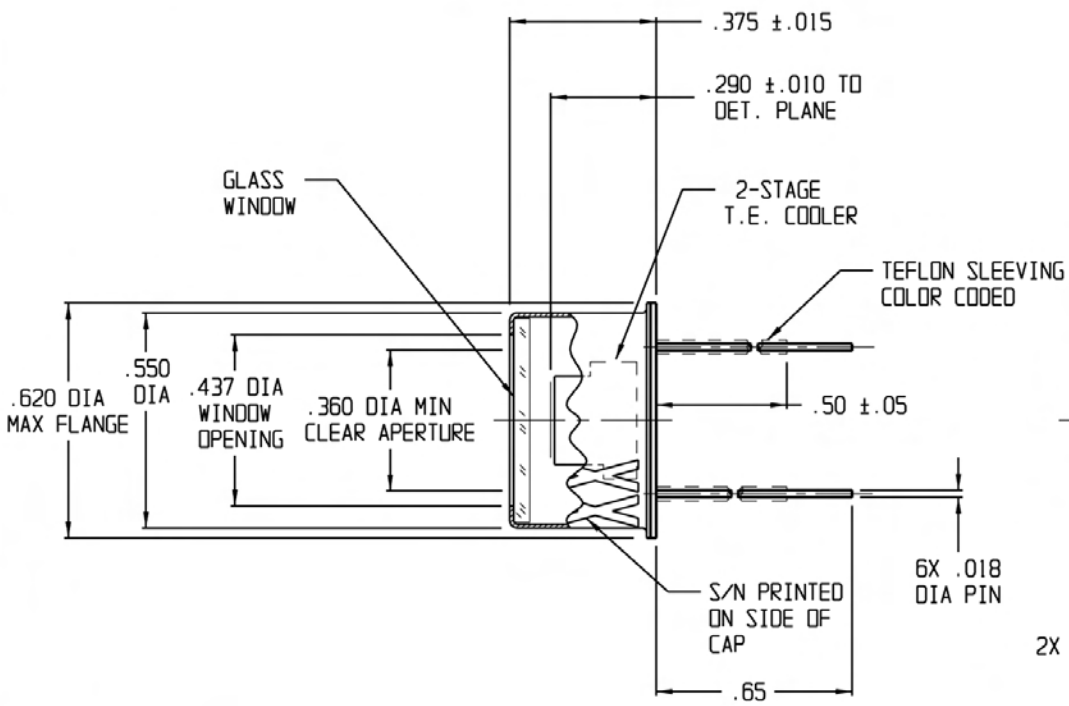


REVISIONS			
REV	DESCRIPTION	DATE	APPROVED
0	INITIAL RELEASE	02/05/02	WR/CM
1	CHANGES PER DCN 403251	11/26/02	WR/DFG



PIN NO.	CONNECTION	COLOR CODE OF TUBING
1	T.E. COOLER (+)	RED
2	T.E. COOLER (-)	BLACK
3	DETECTOR ANODE (+)	GREEN
4	THERMISTOR	YELLOW
5	THERMISTOR	
6	DETECTOR CATHODE (-)	WHITE

NOTE(S):

1. SPECIFICATION FOR A THERMOELECTRICALLY COOLED Ge DETECTOR
 MATERIAL TYPE: Ge-HS
 ACTIVE AREA SIZE: 1.0 mm DIA
 PACKAGE SPECIFICATIONS: TD-8
 DETECTOR SPECIFICATIONS AT: -30 °C
 MINIMUM PEAK RESPONSE AT 1.3 um: 0.6 A/W
 MINIMUM DETECTOR SHUNT IMPEDANCE AT 22 °C: 100 Kohms
 MINIMUM DETECTOR SHUNT IMPEDANCE: 15 Mohms
 MAXIMUM REVERSE VOLTAGE (Vr): 10 V
 WINDOW MATERIAL: BOROSILICATE GLASS

2. DETECTOR CONCENTRIC TO TOP CAP O.D. WITHIN ±.015.

UNLESS OTHERWISE SPECIFIED: DIMENSIONS ARE IN INCHES: TOLERANCES		DRAWN: K.F.M. DATE: 02/05/02		TELEDYNE JUDSON TECHNOLOGIES A Teledyne Technologies Company		221 COMMERCE DRIVE MONTGOMERYVILLE, PA 18936	
DECIMALS	ANGULAR	DESIGN: K.F. MARSHALL DATE: 2/5/02	DATE: 2/5/02	TITLE: J16TE2-8A6-R01M-HS			
.X ±.02	± 1/2°	CHECK: FRANK CECI DATE: 2/5/2002	DATE: 2/5/2002	SIZE: B 56586			
.XX ±.01		PROJECT: N/A	DATE: -----	DWG NO: 460250POD		REV: 1	
.XXX ±.005		APL APPROV: WILLIAM ROLLS DATE: 2/6/02	DATE: 2/6/02	SCALE: 3:1		DO NOT SCALE DWG	
		QA APPROV: CLIVE MASON DATE: 2-6-02	DATE: 2-6-02	SHEET: 1 of 1			
NEXT ASSY	USED ON	THIRD ANGLE PROJECTION					