

4

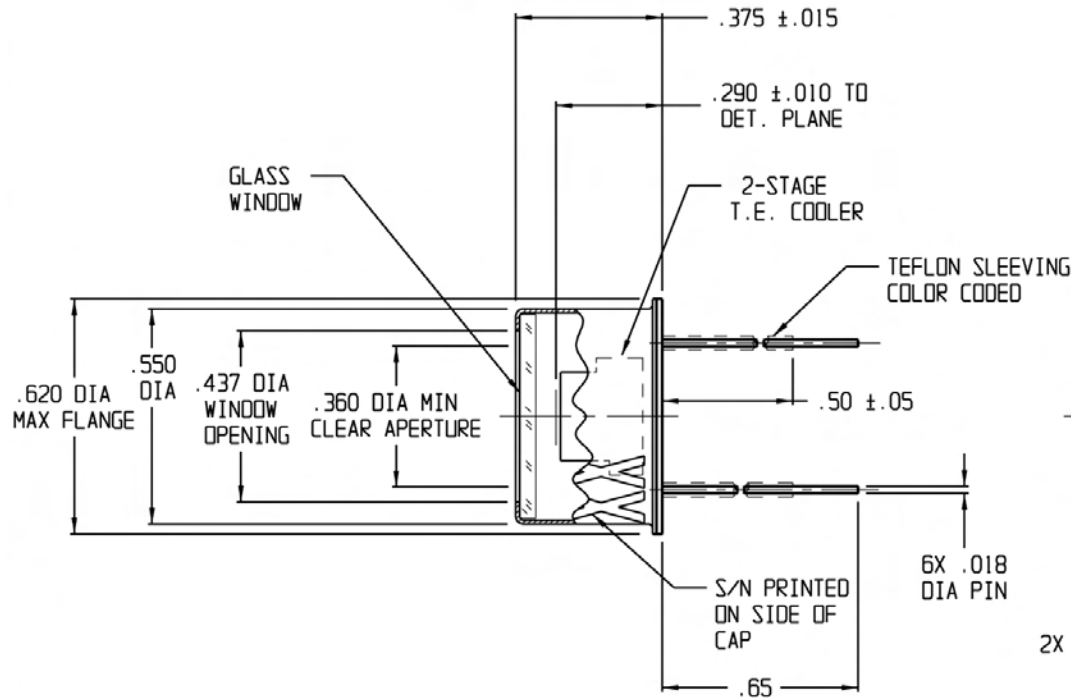
3

2

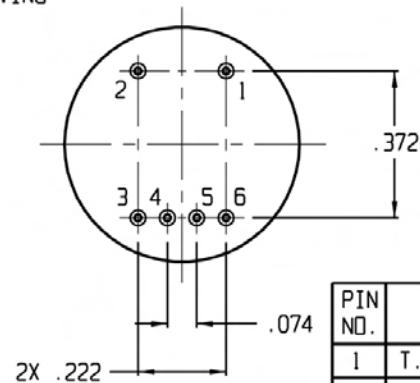
1

## REVISIONS

REV	DESCRIPTION	DATE	APPROVED
0	INITIAL RELEASE	07/06/00	WR/DFG
1	CHANGES PER DCN 402520	05/24/01	WR/DFG
2	CHANGES PER DCN 403251	11/26/02	WR/DFG



## BOTTOM VIEW



PIN NO.	CONNECTION	COLOR CODE OF TUBING
1	T.E. COOLER (+)	RED
2	T.E. COOLER (-)	BLACK
3	DETECTOR ANODE (+)	GREEN
4	THERMISTOR	YELLOW
5	THERMISTOR	
6	DETECTOR CATHODE (-)	WHITE

## NOTE(S):

- SPECIFICATION FOR A THERMOELECTRICALLY COOLED Ge DETECTOR  
 MATERIAL TYPE: Ge-HS  
 ACTIVE AREA SIZE: 3.0 mm DIA  
 PACKAGE SPECIFICATIONS: TO-8  
 DETECTOR SPECIFICATIONS AT: -30 °C  
 MINIMUM PEAK RESPONSE AT 1.3 um: 0.6 A/W  
 MINIMUM DETECTOR SHUNT IMPEDANCE AT 22 °C: 15 Kohms  
 MINIMUM DETECTOR SHUNT IMPEDANCE: 2.0 Mohms  
 MAXIMUM REVERSE VOLTAGE (Vr): -0.5 V  
 WINDOW MATERIAL: BOROSILICATE GLASS

UNLESS OTHERWISE SPECIFIED: DIMENSIONS ARE IN INCHES: TOLERANCES		DRAWN K.F.M.	DATE 06/30/00	TELEDYNE JUDSON TECHNOLOGIES A Teledyne Technologies Company		221 COMMERCE DRIVE MONTGOMERYVILLE, PA 18936	
DECIMALS	ANGULAR	DESIGN K.F. MARSHALL	DATE 6/30/00	TITLE J16TE2-8A6-R03M-HS			
.X ± .02	± 1/2°	CHECK FRANK CECI	DATE 6/30/2000	SIZE B	DWG NO. 56586	REV 460156P00	2
.XX ± .01		PROJECT N/A	DATE -----	SCALE 3:1			
.XXX ± .005		APPROVAL WILLIAM ROLLS	DATE 6/30/00	DO NOT SCALE DWG			
		DATE APPROVAL D.F. GREENE	DATE 7/11/00	SHEET 1 of 1			
		THIRD ANGLE PROJECTION					
NEXT ASSY	USED ON						

4

3

2

1