

4

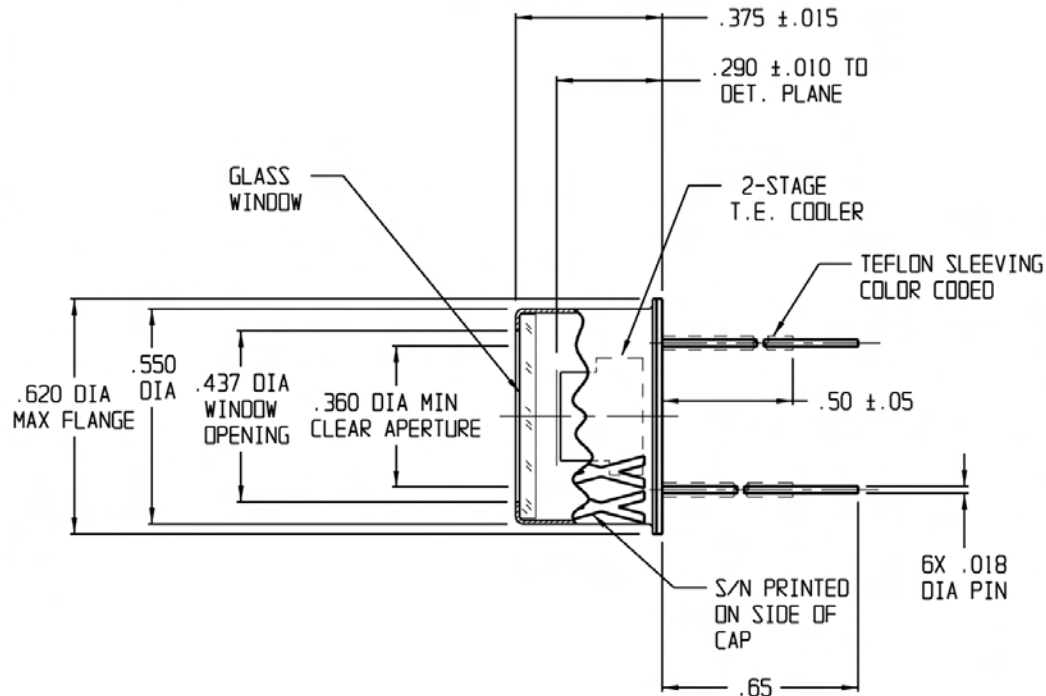
3

2

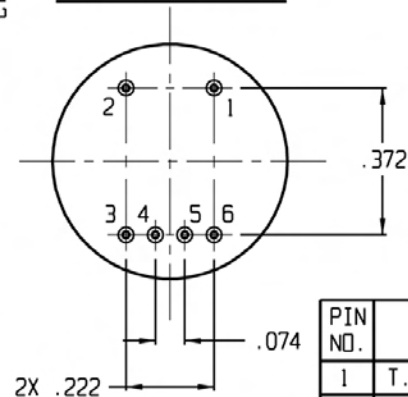
1

REVISIONS

REV	DESCRIPTION	DATE	APPROVED
0	INITIAL RELEASE	06/30/99	FC/HD
1	CHANGES PER DCN 401760	09/03/99	FC/HD
2	CHANGES PER DCN 402520	05/24/01	WR/DFG
3	CHANGES PER DCN 403251	11/26/02	WR/DFG



BOTTOM VIEW



PIN NO.	CONNECTION	COLOR CODE OF TUBING
1	T.E. COOLER (+)	RED
2	T.E. COOLER (-)	BLACK
3	DETECTOR ANODE (+)	GREEN
4	THERMISTOR	YELLOW
5	THERMISTOR	
6	DETECTOR CATHODE (-)	WHITE

NOTE(S):

- SPECIFICATION FOR A THERMOELECTRICALLY COOLED Ge DETECTOR
 MATERIAL TYPE: Ge-HS
 ACTIVE AREA SIZE: 5.0 mm DIA
 PACKAGE SPECIFICATIONS: TO-8
 DETECTOR SPECIFICATIONS AT: -30 °C
 MINIMUM PEAK RESPONSE AT 1.3 um: 0.6 A/W
 MINIMUM DETECTOR SHUNT IMPEDANCE AT 22 °C: 10 Kohms
 MINIMUM DETECTOR SHUNT IMPEDANCE: 1.0 Mohms
 WINDOW MATERIAL: BORSILICATE GLASS

UNLESS OTHERWISE SPECIFIED: DIMENSIONS ARE IN INCHES: TOLERANCES		DRAWN K.F.M.		DATE 06/30/99		TELEDYNE JUDSON TECHNOLOGIES A Teledyne Technologies Company		221 COMMERCE DRIVE MONTGOMERYVILLE, PA 18936	
DECIMALS .X ± .02 .XX ± .01 .XXX ± .005		ANGULAR ± 1/2°		DESIGN K.F.M.		DATE 6/30/99		TITLE J16TE2-8A6-R05M-HS	
		CHECK FRANK CECI		DATE 6/30/99		PROJECT N/A		SIZE B	
		PROJECT APPROVAL WILLIAM ROLLS		DATE 6/30/99		DWG NO. 460134POD		REV 3	
		DATE APPROVAL HOAN DUONG		DATE 7/2/99		SCALE 3:1		DO NOT SCALE DWG	
NEXT ASSY		USED ON		THIRD ANGLE PROJECTION		SHEET		1 of 1	

4

3

2

1