

4

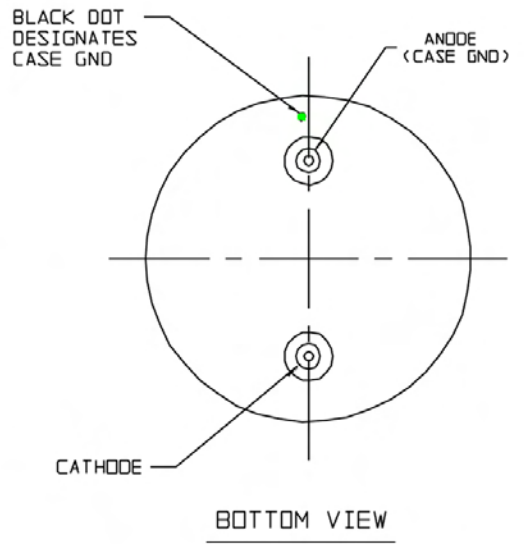
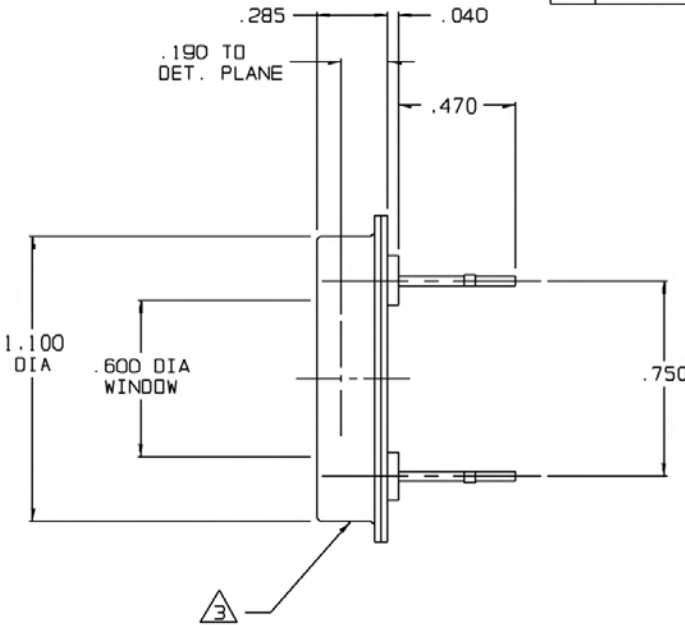
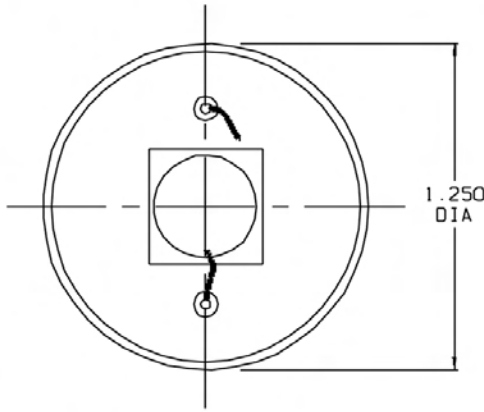
3

2

1

REVISIONS			
REV	DESCRIPTION	DATE	APPROVED
0	INITIAL RELEASE	08/30/99	FC/HD
1	CHANGES PER DCN 402078	05/04/00	WR/DFG

TOP VIEW - CAP REMOVED



- NOTES:**
UNLESS OTHERWISE SPECIFIED:
- 1) DETECTOR CONCENTRIC TO TOP CAP O.D. WITHIN $\pm .015$.
 - 2) FINISH: CAP, HEADER AND PINS ARE GOLD PLATED.
- 3** PRODUCT MARKING.
- 4) MATERIAL TYPE: Ge-SC
ACTIVE AREA SIZE: 10.0 mm DIA P1
PACKAGE SPECIFICATION:
DETECTOR SPECIFICATION AT: 22 °C
MINIMUM RESPONSE AT 1.3 μ m: 0.6 A/W
MINIMUM RESPONSE AT 0.85 μ m: 0.2 A/W
MINIMUM DETECTOR SHUNT IMPEDANCE (Rd): 3 Kohms
MAXIMUM REVERSE VOLTAGE (Vr): -0.25 VOLTS
MAXIMUM DARK CURRENT AT MAX Vr: 50 uA
WINDOW MATERIAL: BOROSILICATE GLASS

UNLESS OTHERWISE SPECIFIED: DIMENSIONS ARE IN INCHES: TOLERANCES		DRW: K.F.M.	DATE: 08/30/99
DECIMALS	ANGULAR	DESIGN: K.F.M.	DATE: 8/30/99
X $\pm .02$	$\pm 1/2^\circ$	CHECK: FRANK CECI	DATE: 8/31/99
.XX $\pm .01$		PROJECT: N/A	DATE: -----
.XXX $\pm .005$		DFG APPROV: WILLIAM ROLLS	DATE: 8/31/99
		DA APPROV: HOAN DUONG	DATE: 0/1/00
NEXT ASSY	USED ON	THIRD ANGLE PROJECTION	

221 COMMERCE DRIVE MONT GOMERYVILLE, PA. USA 18936	
TITLE: J16-P1-R10M-SC	
SIZE: 8	DWG NO: 460062-2P00
REV: 1	SHEET: 1 of 1
SCALE: 2:1	DO NOT SCALE DWG

4

3

2

1