

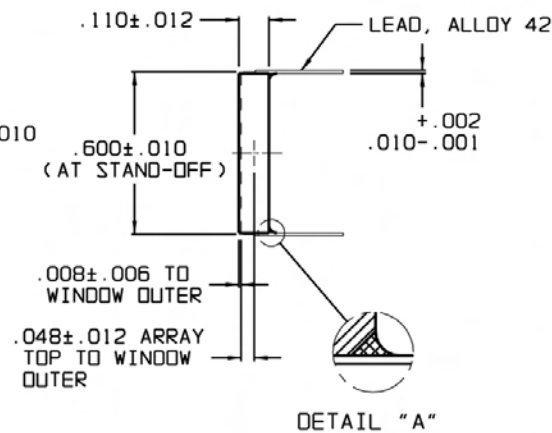
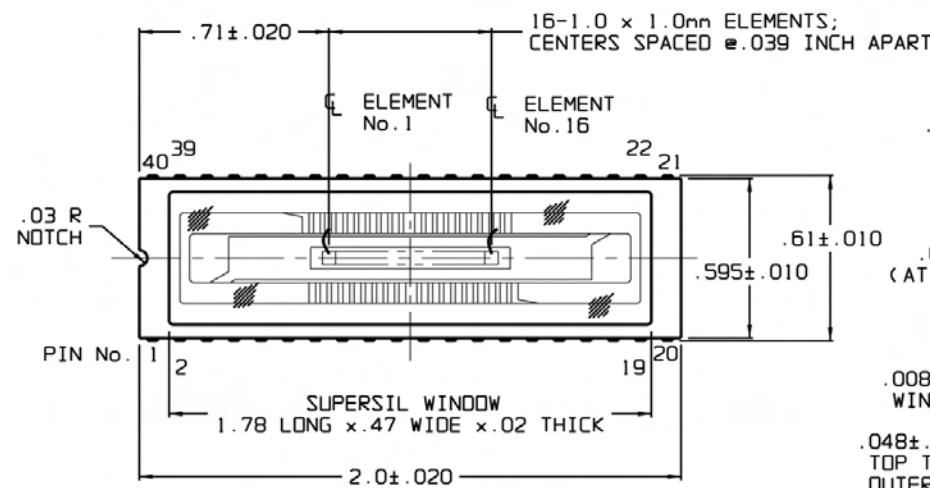
4

3

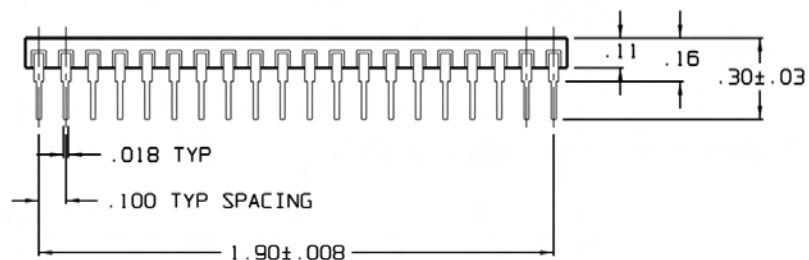
2

1

REVISIONS			
REV	DESCRIPTION	DATE	APPROVED
1	ADDED CENTER SPACING	3-3-89	KWM
2	ADDED WINDOW DIMENSION; TITLE WAS J16-400IP-A16:SO1M	2-28-90	KWM
3	REDRAWN IN CADKEY FORMAT PER DCN 401828	10/21/99	DFG/FC
4	CHANGES PER DCN 401849	10/29/99	FC/DFG
5	CHANGES PER DCN 403128	08/27/02	.



PIN No.	ELEMENT No. DESIGNATION
1	SUBSTRATE
2 THRU 20	N/C
21	SUBSTRATE
22	N/C
23	16
24	15
25	14
26	13
27	12
28	11
29	10
30	9
31	8
32	7
33	6
34	5
35	4
36	3
37	2
38	1
39	N/C
40	N/C



NOTES: SPECIFICATIONS

1. ALL EXPOSED SURFACES OF FEED THRU LEADS TO BE GOLD PLATED.

2. MATERIAL TYPE: Ge-SC
 ACTIVE AREA SIZE: 1.0 mm x 1.0 mm
 NUMBER OF ELEMENTS: 16
 PACKAGE SPECIFICATION: DIP-40I
 DETECTOR SPECIFICATIONS AT: 22 °C
 MINIMUM DETECTOR SHUNT IMPEDANCE (R_d): 200 Kohms
 MAXIMUM DARK CURRENT AT MAX V_r -0.25V: 0.25 uA
 WINDOW MATERIAL: SUPRASIL

UNLESS OTHERWISE SPECIFIED:
 DIMENSIONS ARE IN INCHES
 TOLERANCES

DECIMALS	ANGULAR
X .005	± 1/2°
XX .005	
XXX .005	

DRAWN	KWM/KFM	DATE	10/21/99
DESIGN	N/A	DATE	-----
CHECK	S.FOWLER	DATE	2/24/99
PROJECT	D.G.	DATE	2-24-99
MFG. APPROV.	M.W.	DATE	2-24-99
QA APPROV.	JAH	DATE	2/24/99
THIRD ANGLE PROJECTION			

TELEDYNE JUDSON TECHNOLOGIES
 A Teledyne Technologies Company

221 COMMERCE DRIVE
 MONTGOMERYVILLE, PA 17105

TITLE
J16P-40P-SO1M:16E-SC

SIZE: C DWG NO: 56586 460061P00 REV: 5

SCALE: 3:1 DO NOT SCALE DWG SHEET: 1 of 1

4

3

2

1