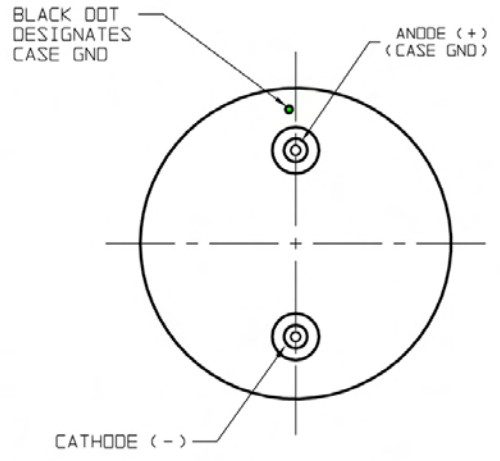
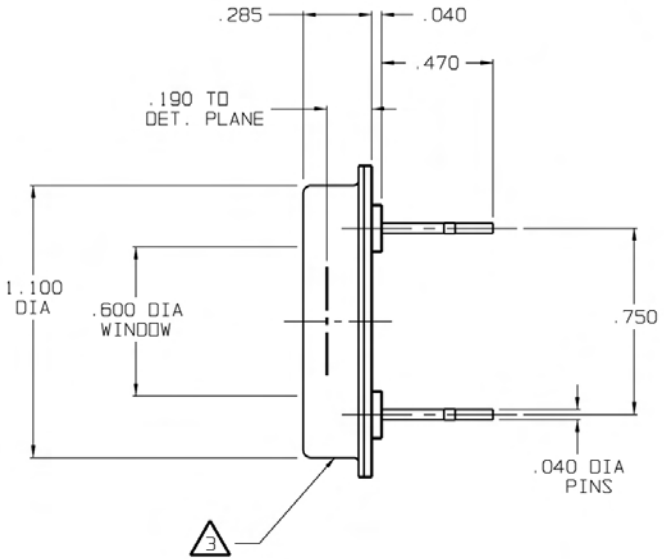
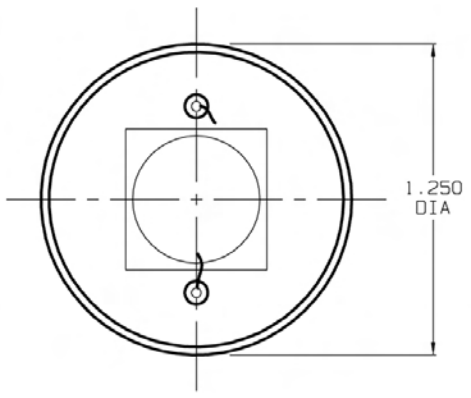


REVISIONS			
REV	DESCRIPTION	DATE	APPROVED
0	INITIAL RELEASE	08/31/99	FC/HD
1	CHANGES PER DCN 402078	05/04/00	WR/DFG
2	CHANGES PER DCN 402837	02/19/02	WR/DFG

TOP VIEW - CAP REMOVED



BOTTOM VIEW

NOTES:

UNLESS OTHERWISE SPECIFIED:

- 1) DETECTOR CONCENTRIC TO TOP CAP O.D. WITHIN ±.015.
- 2) FINISH: CAP, HEADER AND PINS ARE GOLD PLATED.



PRODUCT MARKING.

- 4) MATERIAL TYPE: Ge
ACTIVE AREA SIZE: 13.0 mm DIA
PACKAGE SPECIFICATION: P1

DETECTOR SPECIFICATION AT: 22 °C
 MINIMUM RESPONSE AT 1.3 um: 0.6 A/W
 MINIMUM RESPONSE AT 0.85 um: 0.2 A/W
 MINIMUM DETECTOR SHUNT IMPEDANCE (Rd): 500 Kohms
 MAXIMUM REVERSE VOLTAGE (Vr): -2.0 VOLTS
 MAXIMUM DARK CURRENT AT MAX Vr: 800 uA
 WINDOW MATERIAL: BOROSILICATE GLASS

UNLESS OTHERWISE SPECIFIED: DIMENSIONS ARE IN INCHES:		DRWN K.F.M.	DATE 08/31/99
TOLERANCES		DESIGN K.F.M.	DATE 9/2/99
DECIMALS	ANGULAR	CHECK FRANK CECI	DATE 9/2/99
.X ± .02	± 1/2°	PROJECT N/A	DATE -----
.XX ± .01		PRG APPRVL WILLIAM ROLLS	DATE 9/2/99
.XXX ± .005		QA APPRVL HOAN DUONG	DATE 9/2/99
NEXT ASSY	USED ON	THIRD ANGLE PROJECTION	

		221 COMMERCE DRIVE MONTGOMERYVILLE, PA 18936	
TITLE J16-P1-R13M			
SIZE B	DWG NO. 56586	REV 2	SCALE 2:1
DO NOT SCALE DWG		SHEET 1 of 1	