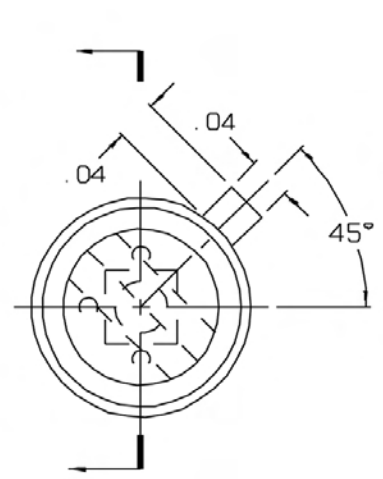
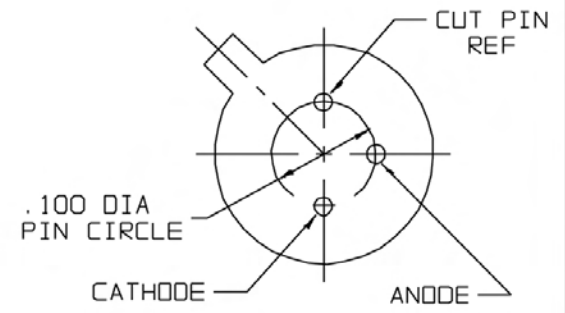
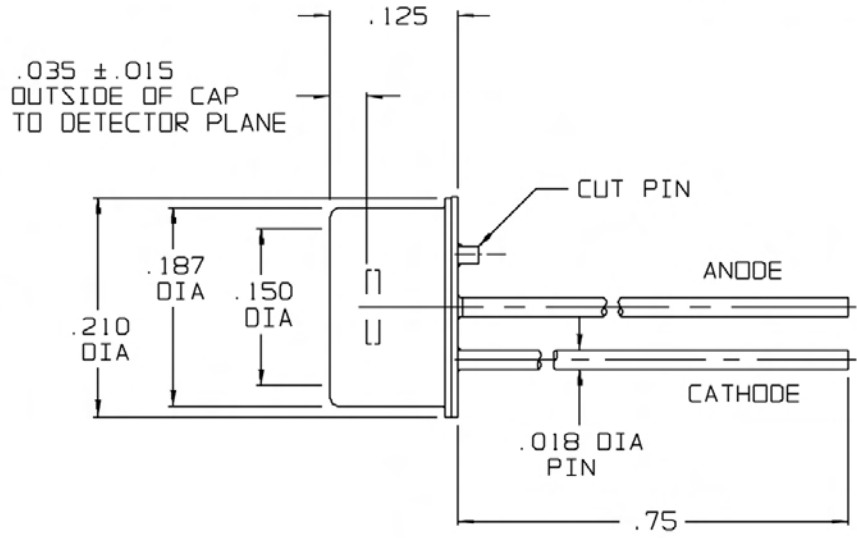


REVISIONS			
REV	DESCRIPTION	DATE	APPROVED
0	INITIAL RELEASE	11/19/98	FC/HD
1	CHANGES PER DCN 401301	12/21/98	FC/HD
2	CHANGES PER DCN 402517	06/05/01	WR/DFG



TOP VIEW



BOTTOM VIEW

NOTES:

- DETECTOR CENTERED WITHIN  $\pm .005$  ON BASE.
- SPECIFICATIONS:  
 MATERIAL TYPE: Ge  
 ACTIVE AREA SIZE: 1.0 mm DIA  
 PACKAGE SPECIFICATION: TD-18  
 MINIMUM DETECTOR SHUNT IMPEDANCE ( $R_d$ ): 100 Kohms  
 MAXIMUM REVERSE VOLTAGE ( $V_R$ ): 5.0 V  
 MINIMUM RESPONSE AT 1.3  $\mu\text{m}$ : 0.6 A/W  
 MINIMUM RESPONSE AT 0.85  $\mu\text{m}$ : 0.2 A/W  
 MAXIMUM DARK CURRENT AT MAX  $V_R$ : 5.0  $\mu\text{A}$

UNLESS OTHERWISE SPECIFIED: DIMENSIONS ARE IN INCHES: TOLERANCES		DATE	11/19/98
DECIMALS	ANGULAR	DESIGN	K.F.M.
X ± .02	± 1/2°	DATE	11/19/98
.XX ± .01		CHECK	FRANK CECI
.XXX ± .005		PROJECT	N/A
		DATE	-----
		ENG. APPROVAL	WILLIAM ROLLS
		DATE	11/19/98
		DR. APPROVAL	HOAN DUONG
		DATE	11/20/98
NEXT ASSY	USED ON	THIRD ANGLE PROJECTION	

TELEDYNE JUDSON TECHNOLOGIES <small>A Teledyne Technologies Company</small>		221 COMMERCE DRIVE MONT GOMERYVILLE, PA. 18936	
TITLE			
<b>J16-18A-R01M</b>			
SIZE	DWG NO.	REV	
<b>8</b>	<b>56586</b>	<b>460011POD</b>	<b>2</b>
SCALE	8:1	DO NOT SCALE DWG	SHEET 1 of 1