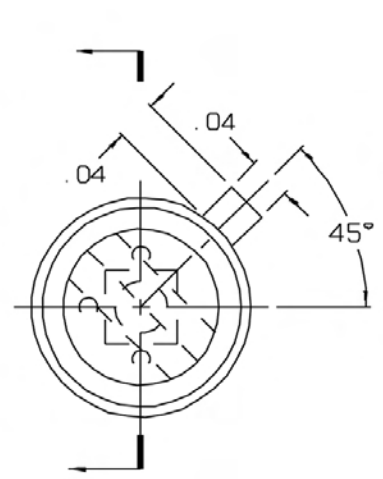
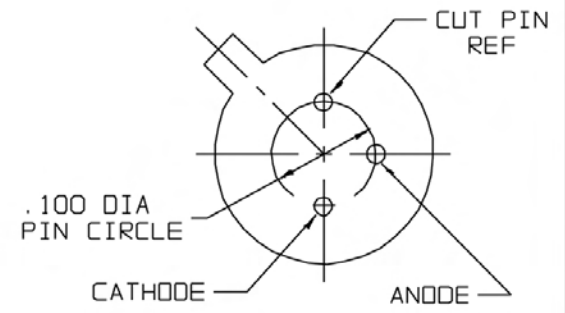
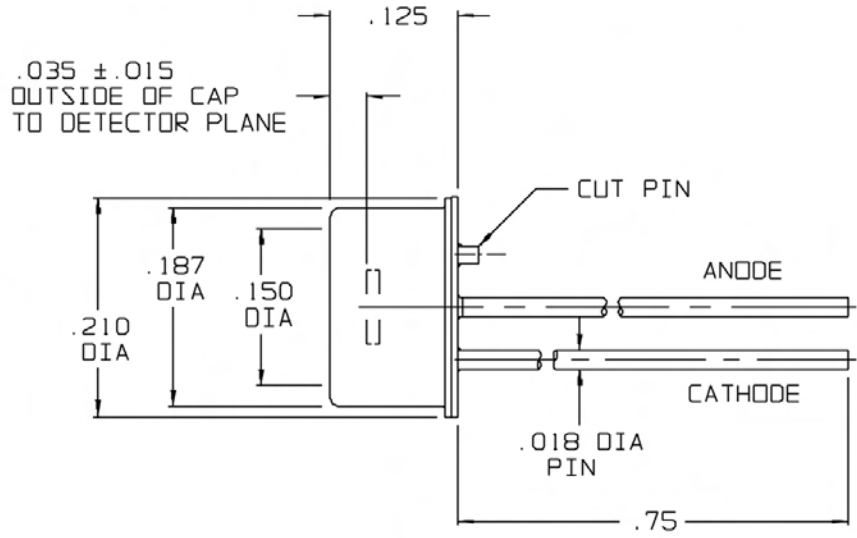


REVISIONS			
REV	DESCRIPTION	DATE	APPROVED
0	INITIAL RELEASE	03/06/98	DG/CM/HD
1	CHANGES PER DCN 401213	10/30/98	FC



TOP VIEW



BOTTOM VIEW

NOTES:

- DETECTOR CENTERED WITHIN ±.005 ON BASE.
- SPECIFICATIONS:
 MATERIAL TYPE: Ge-SC
 ACTIVE AREA SIZE: 1.0 mm DIA
 PACKAGE SPECIFICATION: TO-18

 DETECTOR SHUNT IMPEDANCE (Rd): >=250 Kohms
 MAX REVERSE VOLTAGE (Vr): =0.25 V
 RESPONSE (A/W) AT 1.3 um: >=0.6 A/W
 RESPONSE (A/W) AT 0.85 um: >=0.2 A/W
 DARK CURRENT AT MAX Vr: 0.2 uA

UNLESS OTHERWISE SPECIFIED: DIMENSIONS ARE IN INCHES: TOLERANCES		DRAWN: K.F.M. DATE: 10/30/97 DESIGN: K.F.M. DATE: 8/27/98 CHECK: J.E. DATE: 8/31/98 PROJECT: N/A DATE: ----- ENG. APPROVAL: ROBERT O'LEARY DATE: 9/11/98 QA APPROVAL: C.M./H.D. DATE: 9-11-98	TELEDYNE JUDSON TECHNOLOGIES A Teledyne Technologies Company 221 COMMERCE DRIVE MONTGOMERYVILLE, PA. USA 18936	
DECIMALS X ± .02 .XX ± .01 .XXX ± .005	ANGULAR ± 1/2°	TITLE: J16-18A-RO1M-SC PRODUCT OUTLINE		
NEXT ASSY	USED ON	THIRD ANGLE PROJECTION	SCALE: 8:1	DO NOT SCALE DWG
				SHEET 1 of 1