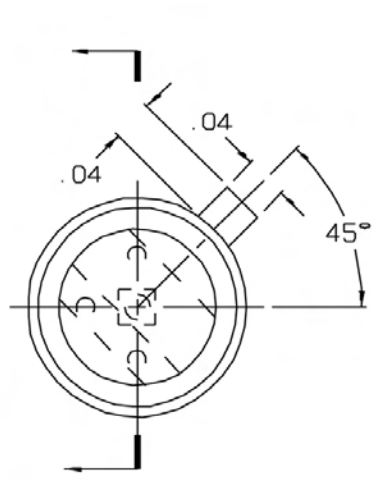
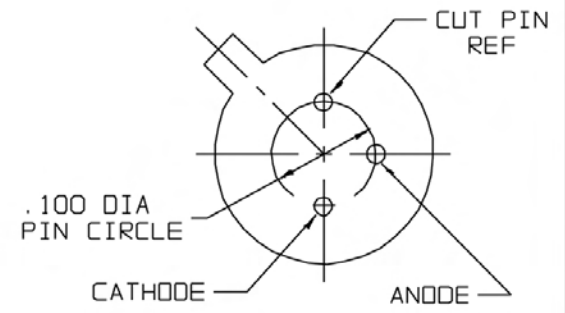
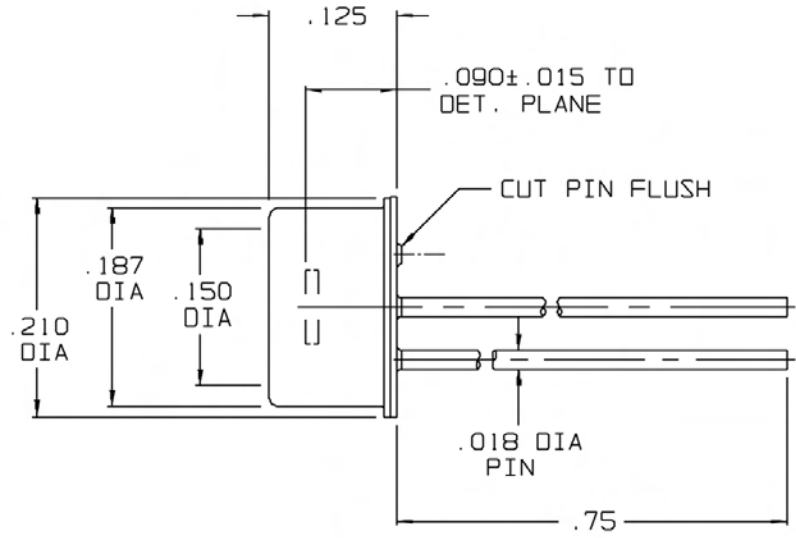


REVISIONS			
REV	DESCRIPTION	DATE	APPROVED
0	INITIAL RELEASE	10/12/01	WR/DFG



TOP VIEW



BOTTOM VIEW

NOTES:

1. DETECTOR CENTERED WITHIN  $\pm .005$  ON BASE.
2. SPECIFICATION FOR A ROOM TEMPERATURE Ge DETECTOR:  
 MATERIAL TYPE: Ge-SC  
 ACTIVE AREA SIZE: 0.50 mm DIA  
 PACKAGE SPECIFICATION: TD-18  
 DETECTOR SPECIFICATION AT: 22 °C  
 MINIMUM RESPONSE AT 1.3  $\mu$ m: 0.6 A/W  
 MINIMUM RESPONSE AT 0.85  $\mu$ m: 0.2 A/W  
 MINIMUM DETECTOR SHUNT IMPEDANCE (Rd): 700 Kohms  
 MAXIMUM REVERSE VOLTAGE (Vr): -.25 VOLTS  
 MAXIMUM DARK CURRENT AT MAX Vr: .1  $\mu$ A  
 WINDOW MATERIAL: BOROSILICATE GLASS

UNLESS OTHERWISE SPECIFIED: DIMENSIONS ARE IN INCHES: TOLERANCES		DRAWN: K.F.M. DESIGN: K.F. MARSHALL CHECK: FRANK CECI PROJECT: N/A MFG APPROV: WILLIAM ROLLS QA APPROV: D.F. GREENE	DATE: 10/11/01 DATE: 10/12/01 DATE: 10/12/2001 DATE: 10/17/01 DATE: 10/17/01
DECIMALS .x ± .02 .xx ± .01 .xxx ± .005	ANGULAR ± 1/2°	DATE: 10/17/01 DATE: 10/17/01	DATE: 10/17/01
NEXT ASSY	USED ON	THIRD ANGLE PROJECTION	

221 CONMERCE DRIVE MONT GOMERYVILLE, PA. USA 18936	
TITLE: <b>J16-18A-R500U-SC</b>	
SIZE: <b>8</b>	DWG NO.: <b>460003-2P00</b>
REV: <b>0</b>	
SCALE: 8:1	DO NOT SCALE DWG
SHEET: 1 of 1	