

4

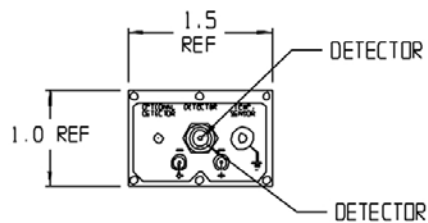
3

2

1

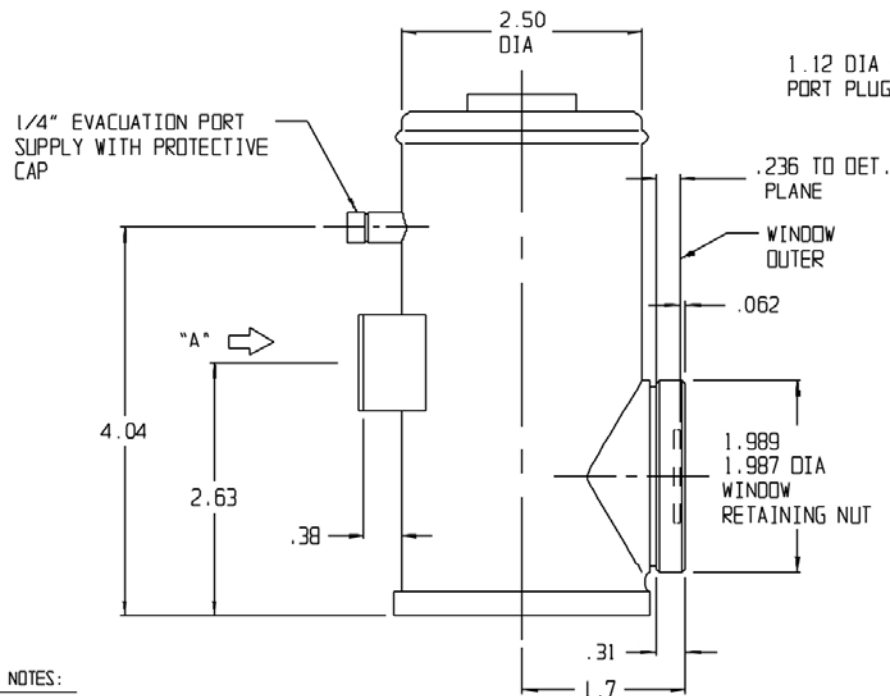
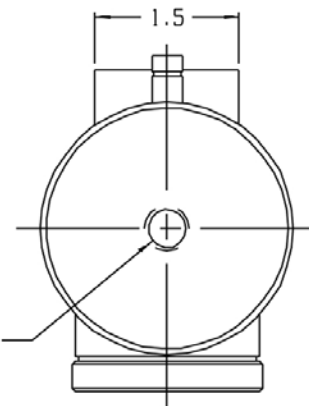
REVISIONS

REV	DESCRIPTION	DATE	APPROVED
0	INITIAL RELEASE	12/06/01	00/DFG

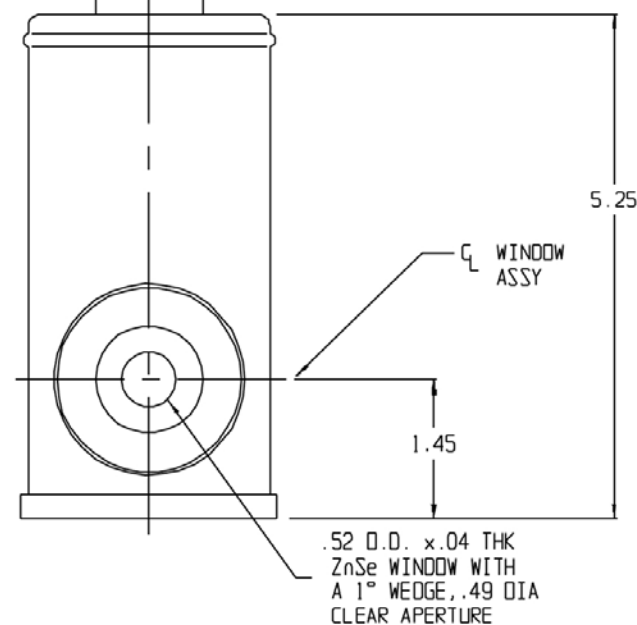


VIEW "A"

1/8" NPT FILL PORT
SHOWN WITH FILL
PORT PLUG REMOVED



1.12 DIA FILL
PORT PLUG



NOTES:

- SPECIFICATION FOR PHOTOCONDUCTOR HgCdTe DETECTOR
 MATERIAL TYPE: HgCdTe
 ACTIVE AREA SIZE: 0.250 mm x 0.250 mm

 DETECTOR SPECIFICATIONS:
 77 Kelvin
 MINIMUM D^* (PEAK, 1KHz, 1Hz): 2.5E10 cmHz^{1/2} W-1
 MINIMUM RESPONSIVITY (PEAK, 900Hz): 3,000 V/W
 MINIMUM WAVELENGTH CUTOFF: 20% at 16.6 um
 MAXIMUM BIAS VOLTAGE: 1.75 Volts
 FIELD OF VIEW: 60°
 WINDOW MATERIAL TYPE: ZnSe Wedged/1°
 MINIMUM HOLD TIME: 8 Hours
 MAXIMUM FLOW RATE: 120 ml/min
 DETECTOR TO WINDOW DISTANCE: 8.5 +/- 0.5 mm

UNLESS OTHERWISE SPECIFIED:
DIMENSIONS ARE IN INCHES
TOLERANCES

DECIMALS	ANGULAR
.XX ± .02	± 1/2°
.XXX ± .005	

DESIGN	K.F.M.	DATE	11/27/01
DESIGN	K.F. MARSHALL	DATE	12/6/01
CHECK	FRANK CECI	DATE	12/6/00
PROJECT	DOON DOOLAN	DATE	12/10/01
RFQ APPROV	N/A	DATE	-----
QA APPROV	D.F. GREENE	DATE	11/06/01

TELEDYNE JUDSON TECHNOLOGIES
A Teledyne Technologies Company

201 COMMERCE DRIVE
PONTIAC, PA 15096

TITLE

J15016-M204-S250U-60

SIZE

C 56586 450951 P00 0

DWG NO

REV

THIRD ANGLE
PROJECTION

SCALE 1:1

DO NOT SCALE DWG

1 of 1

4

3

2

1