

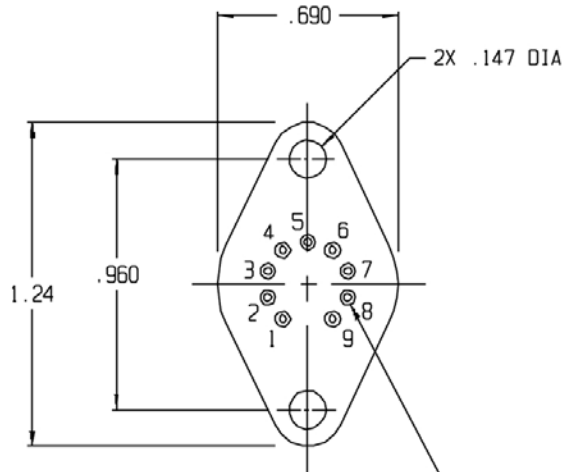
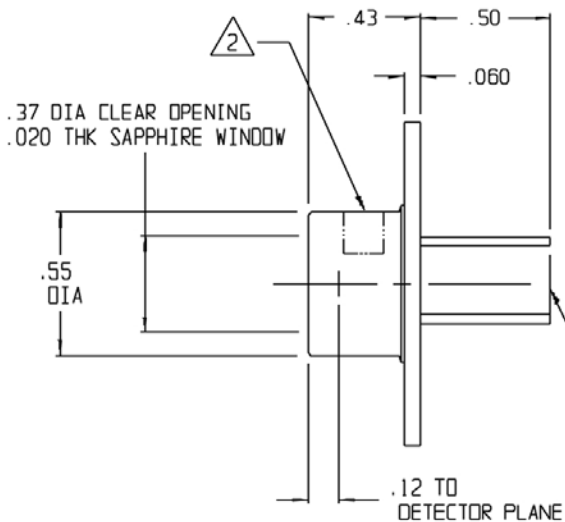
4

3

2

1

REVISIONS			
REV	DESCRIPTION	DATE	APPROVED
0	INITIAL RELEASE	10/26/98	FC/HD
1	CHANGES PER DCN 401538	04/29/99	FC/HD



PIN CHART

PIN	FUNCTION	COLOR CODE
1	COOLER (+)	RED
2	N/C	CLEAR
3	N/C	CLEAR
4	N/C	CLEAR
5	THERMISTOR	YELLOW
6		
7	DETECTOR	GREEN
8	DETECTOR	WHITE
9	COOLER (-)	BLACK

NOTES:

- PIN NUMBERS FOR REF ONLY.
- PRODUCT MARKING.
- MATES WITH P/N 300359 SOCKET, TO-66, 9-PIN.

- DETECTOR SPECIFICATIONS:
MATERIAL TYPE: HgCdTe
ACTIVE AREA SIZE: 1.0 mm x 1.0 mm

DETECTOR SPECIFICATIONS AT: -40 °C
 MINIMUM D* (PEAK, 10KHz, 1Hz): 4.0E10 cmHz^{1/2} W-1
 RESPONSIVITY (PEAK, 900Hz): 4,000 V/W TYPICAL
 MINIMUM WAVELENGTH CUTOFF: 50% AT 4.0 +/-0.25 um
 WINDOW MATERIAL: SAPPHIRE AR COATED 1-6 um
 PACKAGE DESCRIPTION: TO-66

UNLESS OTHERWISE SPECIFIED: DIMENSIONS ARE IN INCHES: TOLERANCES		DATE	TELEDYNE JUDSON TECHNOLOGIES <small>A Teledyne Technologies Company</small>		221 COMMERCE DRIVE MONT GOMERYVILLE, PA, USA 18936
DECIMALS	ANGULAR	09/24/98	TITLE		
X ± .02	± 1/2°	DESIGN	J15TE2:4-66C-S01M		
.XX ± .01		DATE	SIZE	DWG NO.	REV
.XXX ± .005		K.F.M.	8	56586	450699P00
		CHECK	SCALE 2:1		
		FRANK CECI	DO NOT SCALE DWG		
		PROJECT	SHEET 1 of 1		
		N/A			
		APPROVAL			
		WILLIAM ROLLS			
		DATE			
		HOAN DUONG			
		DATE			
		10/28/98			
NEXT ASSY	USED ON	THIRD ANGLE PROJECTION			

4

3

2

1