

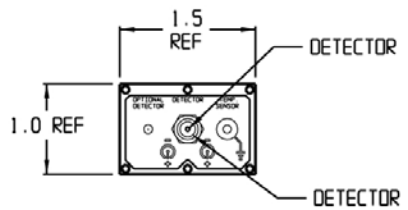
4

3

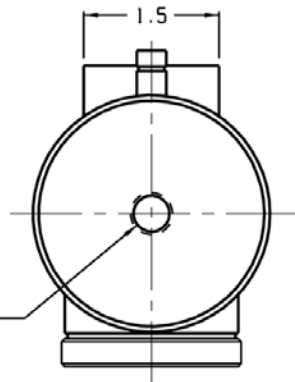
2

1

REVISIONS			
REV	DESCRIPTION	DATE	APPROVED
0	INITIAL RELEASE	05/31/02	DD/DFG

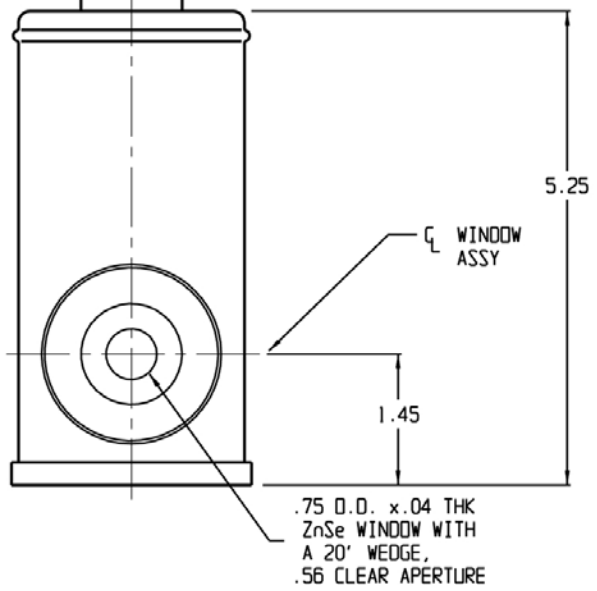
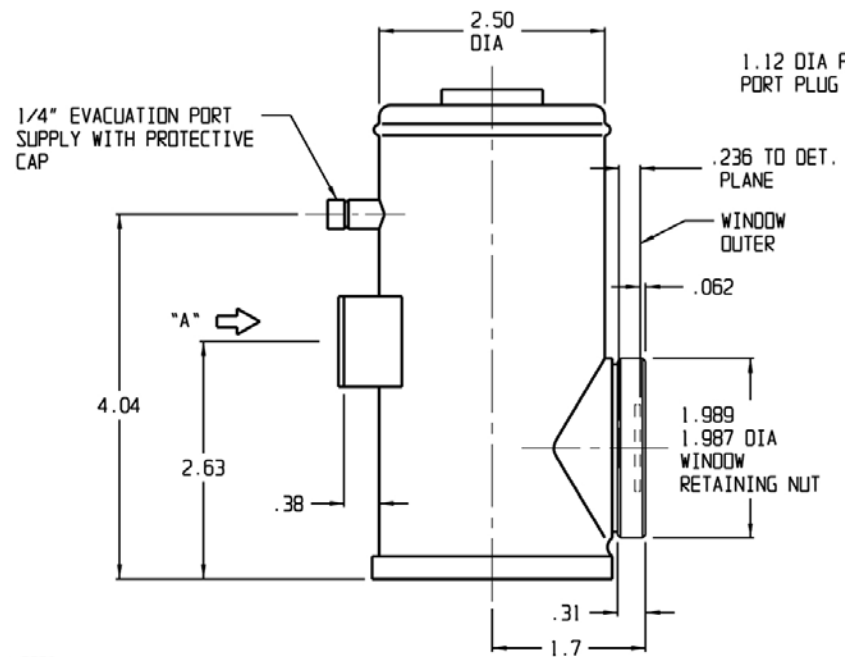


VIEW "A"



1/8" NPT FILL PORT SHOWN WITH FILL PORT PLUG REMOVED

1.12 DIA FILL PORT PLUG



NOTES:

- SPECIFICATION FOR PHOTOCONDUCTOR HgCdTe DETECTOR  
 MATERIAL TYPE: HgCdTe  
 ACTIVE AREA SIZE: 0.250 mm x 0.250 mm  
 DETECTOR TESTED AT: 77 Kelvin  
 MINIMUM D\* (PEAK, 10KHz, 1Hz): 3.0E10 cmHz<sup>1/2</sup> W<sup>-1</sup>  
 MINIMUM RESPONSIVITY (PEAK, 900Hz): 8,000 V/W  
 MINIMUM WAVELENGTH CUTOFF: 20% at 13.3 um  
 MAXIMUM BIAS VOLTAGE: 1.75 Volts  
 FIELD OF VIEW: 60°  
 WINDOW MATERIAL TYPE: ZnSe Wedged/20'  
 MINIMUM HOLD TIME: 8 Hours  
 MAXIMUM FLOW RATE: 120 nl/min

UNLESS OTHERWISE SPECIFIED: DIMENSIONS ARE IN INCHES TOLERANCES		DRAWN K.F.M.	DATE 05/31/02
DECIMALS	ANGULAR	DESIGN K.F. MARSHALL	DATE 5/31/02
.XX ± .02	± 1/2°	CHECK FRANK CECI	DATE 6/12/02
.XX ± .01		PROJECT DON DOLAN	DATE 6/12/02
.XXX ± .005		MFG APPROV. WILLIAM ROLLS	DATE 6/13/02
		QA APPROV. D.F. GREENE	DATE 6/13/02
		THIRD ANGLE PROJECTION	

TELEDYNE JUDSON TECHNOLOGIES  
 A Tektronix Technologies Company  
 221 COMMERCE DRIVE  
 MONTGOMERYVILLE, PA 19936

TITLE  
**J15014-M204-S250U-60**

SIZE: **C** DWG NO: **450695P00** REV: **0**

SCALE: 1:1 **DO NOT SCALE DWG** SHEET 1 of 1

4

3

2

1