

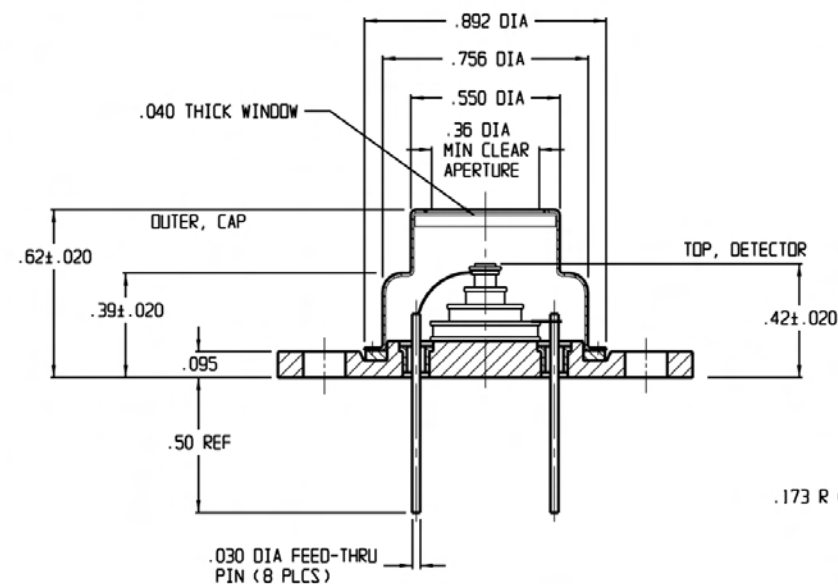
4

3

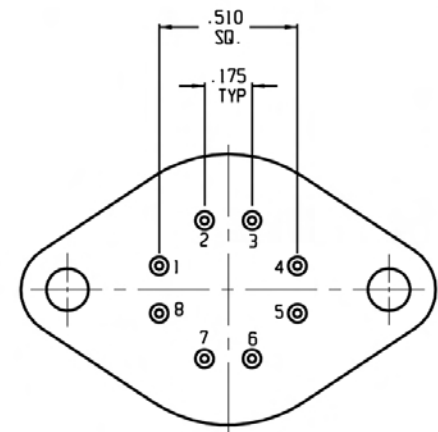
2

1

REVISIONS			
REV	DESCRIPTION	DATE	APPROVED
0	INITIAL RELEASE	07/25/96	KWM/RO'L
1	CHANGES PER DCN 400888	11/26/97	KWM/RO'L
2	CHANGES PER DCN 401732	08/24/99	FC/HO
3	CHANGES PER DCN 402921	5/22/02	WR/CH



SECTIONAL SIDE VIEW



BOTTOM VIEW

(SEE TABLE 1 FOR PIN SLEEVE COLOR)

TOP VIEW

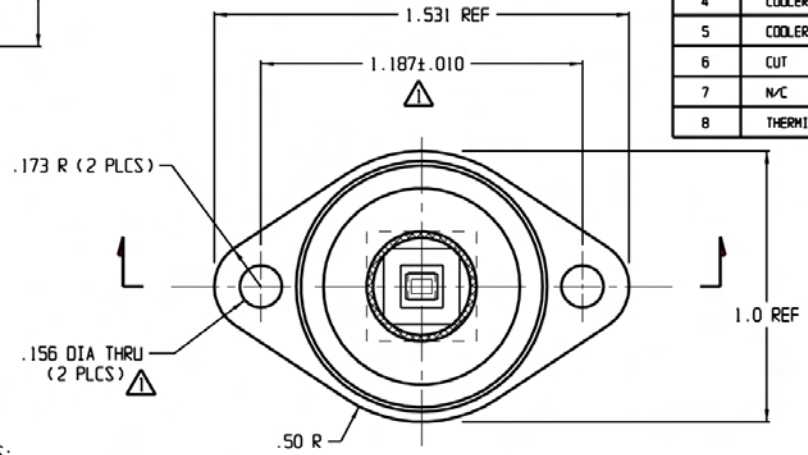


TABLE 1

PIN NO.	DESIGNATION	SLEEVE COLOR
1	THERMISTOR	YELLOW
2	DETECTOR	WHITE
3	DETECTOR	GREEN
4	COOLER (-)	BLACK
5	COOLER (+)	RED
6	CUT	-----
7	N/C	CLEAR
8	THERMISTOR	YELLOW

NOTES:

1. DETECTOR CENTERED WITHIN $\pm .010$ WITH RESPECT TO .156 MOUNTING HOLES.

2. FINISH:
ALL EXPOSED METAL SURFACES - GOLD PLATED.

3. MATERIAL TYPE: HgCdTe
ACTIVE AREA SIZE: 1.0 mm x 1.0 mm
DETECTOR TESTED AT: -80 °C
MINIMUM D* (PEAK, 10KHz, 1Hz): 3.0E08 cmHz^{1/2}W⁻¹
MINIMUM D* (10.6um, 10KHz, 1Hz): 2.0E08 cmHz^{1/2}W⁻¹

3. (CONTINUED):
MINIMUM RESPONSIVITY (PEAK, 900Hz): 4.0 V/W
WINDOW MATERIAL: Ge AR COATED 2 - 14 um
PACKAGE DESCRIPTION: TO-3

UNLESS OTHERWISE SPECIFIED: DIMENSIONS ARE IN INCHES TOLERANCES		DRAWN K.F.M.	DATE 07/24/96
DECIMALS X ± .02 XX ± .01 XXX ± .005	ANGULAR ± 1/2°	DESIGN N/A	DATE -----
		CHECK KW MA	DATE 7/25/96
		PROJECT N/A	DATE -----
		MFG. APPROV. ROBERT O'LEARY	DATE 7/25/96
		QA APPROV. HOAN DUONG	DATE 7/25/96
		THIRD ANGLE PROJECTION	
NEXT ASSY	USED ON		

TELEDYNE JUDSON TECHNOLOGIES A Teledyne Technologies Company		221 COMMERCE DRIVE MONTGOMERYVILLE, PA 18936	
TITLE J15TE4: 10-3GN-S01M			
SIZE C	QWG NO. 56586	QWG NO. 450692POD	REV 3
SCALE 3:1	DO NOT SCALE DWG		SHEET 1 of 1

4

3

2

1