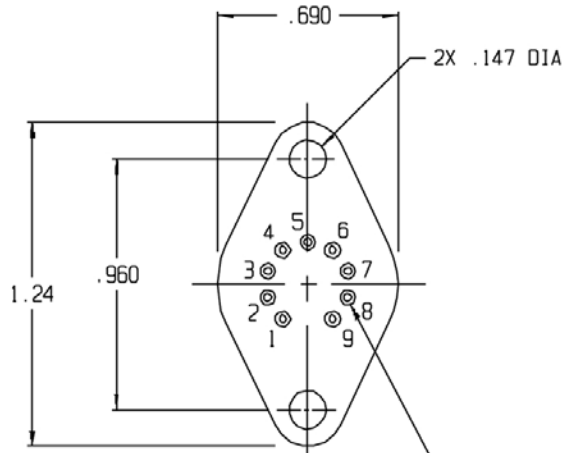
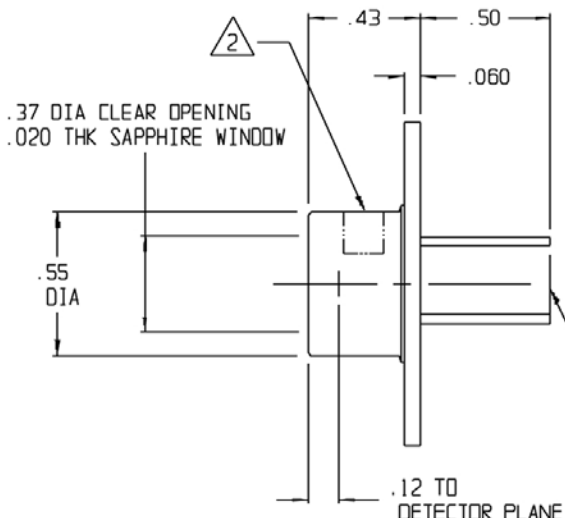


REVISIONS			
REV	DESCRIPTION	DATE	APPROVED
0	INITIAL RELEASE	01/19/99	FC/HD
1	CHANGES PER DCN 401538	04/29/99	FC/HD



PIN CHART

PIN	FUNCTION	COLOR CODE
1	COOLER (+)	RED
2	N/C	CLEAR
3	N/C	CLEAR
4	N/C	CLEAR
5	THERMISTOR	YELLOW
6		
7	DETECTOR	GREEN
8	DETECTOR	WHITE
9	COOLER (-)	BLACK

NOTES:

- PIN NUMBERS FOR REF ONLY.
- PRODUCT MARKING.
- MATES WITH P/N 300359 SOCKET, TO-66, 9-PIN.

4. DETECTOR SPECIFICATIONS:
 MATERIAL TYPE: HgCdTe
 ACTIVE AREA SIZE: 0.250 mm x 0.250 mm

DETECTOR SPECIFICATIONS AT: -40 °C
 MINIMUM D* (PEAK, 10KHz, 1Hz): 7.5E9 cmHz^{1/2} W⁻¹
 MINIMUM RESPONSIVITY (PEAK, 900Hz): 4,000 V/W TYPICAL
 MINIMUM WAVELENGTH CUTOFF: 50% AT 5.0 +/-0.25 um
 WINDOW MATERIAL: SAPPHIRE
 PACKAGE DESCRIPTION: TO-66

PINS OMITTED FOR CLARITY

BOTTOM VIEW

9X .030 DIA PINS ON
 .425 DIA B.C.
 SPACED 36° APART

UNLESS OTHERWISE SPECIFIED: DIMENSIONS ARE IN INCHES: TOLERANCES		DRAWN: K.F.M. DATE: 01/19/99 DESIGN: K.F.M. DATE: 1/19/99 CHECK: FRANK CECI DATE: 1/20/99 PROJECT: N/A ENG APPROV: WILLIAM ROLLS DATE: 1/20/99 QA APPROV: HOAN DUONG DATE: 1/20/99	TELEDYNE JUDSON TECHNOLOGIES 221 COMMERCE DRIVE HONT GOMERYVILLE, PA. USA 18936	
DECIMALS X ± .02 .XX ± .01 .XXX ± .005	ANGULAR ± 1/2°	TITLE: J15TE2:5-66C-S250U		
NEXT ASSY	USED ON	THIRD ANGLE PROJECTION	SIZE: 8 56586	DWG NO.: 450673POD
		SCALE: 2:1	DO NOT SCALE DWG	SHEET 1 of 1