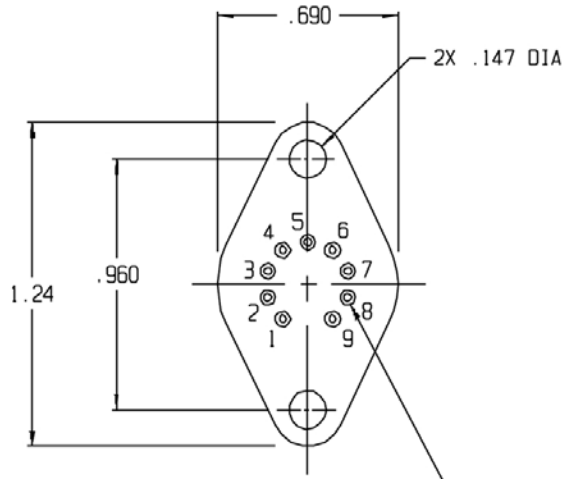
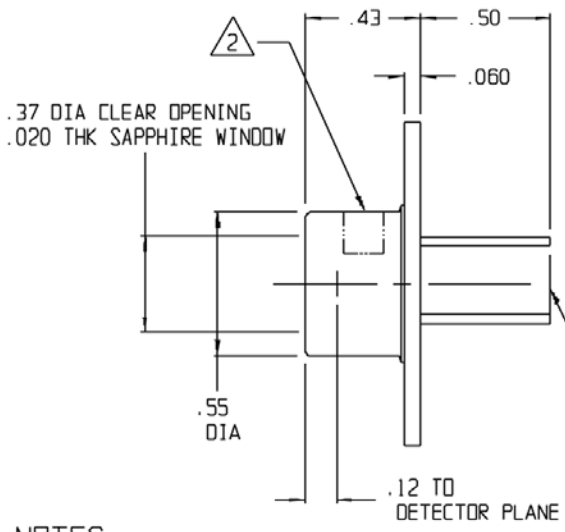


REVISIONS			
REV	DESCRIPTION	DATE	APPROVED
0	INITIAL RELEASE	11/28/97	OG/JAH
1	CHANGES PER DCN 401796	09/24/99	FC/HD



PIN CHART

PIN	FUNCTION	COLOR CODE
1	COOLER (+)	RED
2	GROUND	CLEAR
3	N/C	CLEAR
4	N/C	CLEAR
5	THERMISTOR	YELLOW
6		
7	DETECTOR	GREEN
8	DETECTOR	WHITE
9	COOLER (-)	BLACK

NOTES:

- PIN NUMBERS FOR REF ONLY.
- PRODUCT MARKING.
- MATES WITH P/N 300359 SOCKET, TO-66, 9-PIN.

4. MATERIAL TYPE: HgCdTe
 ACTIVE AREA SIZE: 1.0 mmx1.0 mm
 DETECTOR SPECIFICATIONS AT: -65 °C
 MINIMUM D* (PEAK, 10 KHz, 1Hz): 3.0E09 cmHz^{1/2}/W-1
 MINIMUM RESPONSIVITY (PEAK, 900Hz): 800 V/W TYPICAL
 MINIMUM WAVELENGTH CUTOFF: 50% AT 5.0
 WINDOW MATERIAL: SAPPHIRE AR COATED 1-6 um
 PACKAGE DESCRIPTION: TO-66

BOTTOM VIEW

9X .030 DIA PINS ON
 .425 DIA B.C.
 SPACED 36° APART

PINS OMITTED FOR CLARITY

UNLESS OTHERWISE SPECIFIED: DIMENSIONS ARE IN INCHES: TOLERANCES		DRAWN K.F.M.	DATE 11/19/97	TELEDYNE JUDSON TECHNOLOGIES <small>A Teledyne Technologies Company</small>		221 COMMERCE DRIVE MONTGOMERYVILLE, PA, USA 18936	
DECIMALS	ANGULAR	DESIGN ORHAN GINGIS	DATE 12-04-97	TITLE J15TE3:5-66C-S01M			
x ± .02	± 1/2°	CHECK J.E.	DATE 12/4/97	SIZE 8 56586			
.xx ± .01		PROJECT N/A	DATE -----	DWG NO. 450651POD		REV 1	
.xxx ± .005		APPROVAL ROBERT O'LEARY	DATE 3/17/98	SCALE 2:1			
		DATE 3/17/98	DO NOT SCALE DWG				
NEXT ASSY	USED ON	THIRD ANGLE PROJECTION	SHEET 1 of 1				