

4

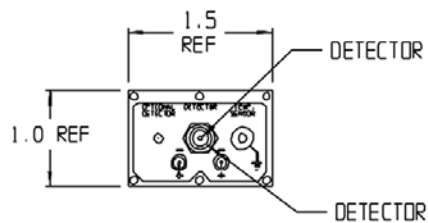
3

2

1

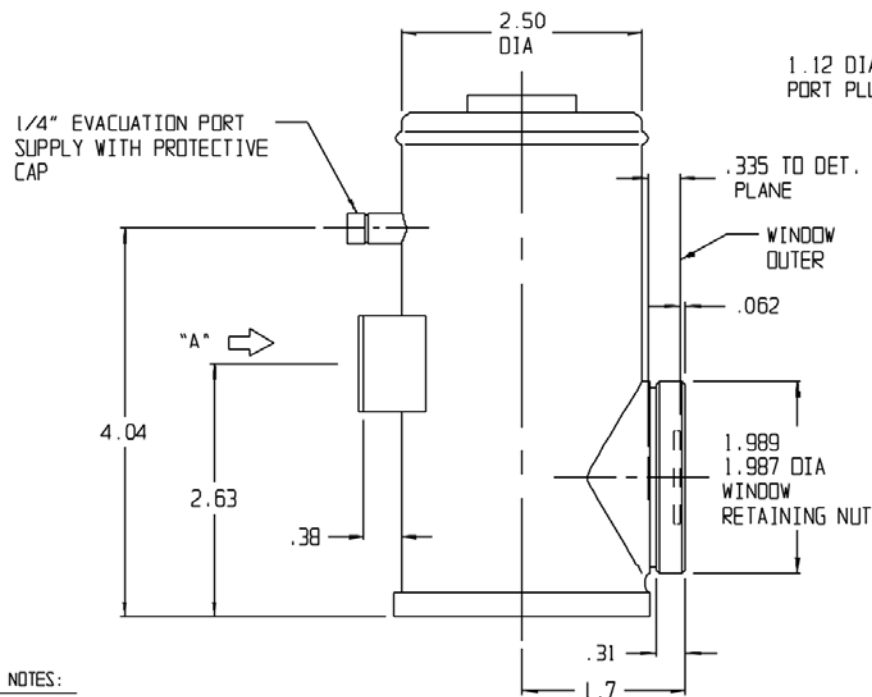
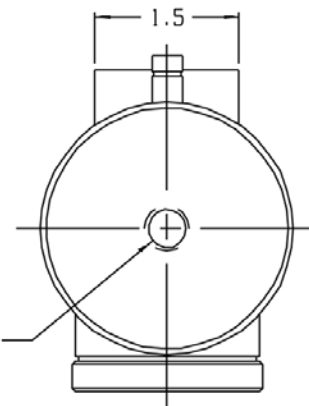
## REVISIONS

REV	DESCRIPTION	DATE	APPROVED
0	INITIAL RELEASE	12/03/01	DD/DFG

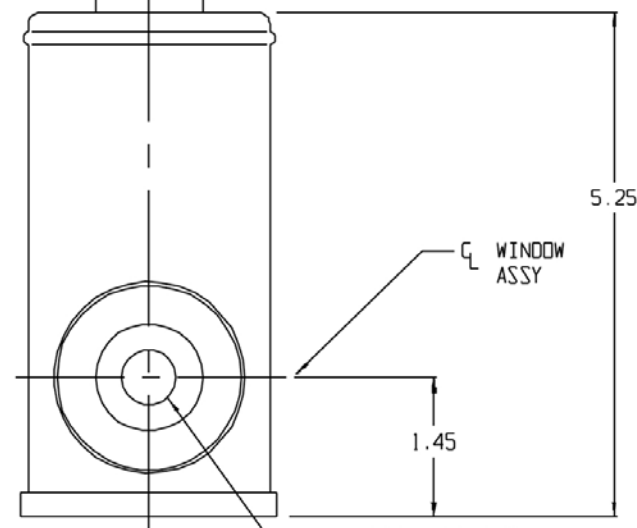


VIEW "A"

1/8" NPT FILL PORT  
SHOWN WITH FILL  
PORT PLUG REMOVED



1.12 DIA FILL  
PORT PLUG



.52 O.D. x .04 THK  
ZnSe WINDOW WITH  
A 1° WEDGE, .49 DIA  
CLEAR APERTURE

## NOTES:

1. SPECIFICATION FOR PHOTOCONDUCTOR HgCdTe DETECTOR  
MATERIAL TYPE: HgCdTe  
ACTIVE AREA SIZE: 1.0 mm x 1.0 mm

DETECTOR SPECIFICATIONS:  
MINIMUM  $D^*$  (PEAK, 10KHz, 1Hz): 2.5E10 cmHz<sup>1/2</sup> W-1  
MINIMUM RESPONSIVITY (PEAK, 900Hz): 80D V/W  
MINIMUM WAVELENGTH CUTOFF: 20% at 16.6 um  
MAXIMUM BIAS VOLTAGE: 7.0 Volts  
FIELD OF VIEW: 60°  
WINDOW MATERIAL TYPE: ZnSe Wedged/1°  
MINIMUM HOLD TIME: 8 Hours  
MAXIMUM FLOW RATE: 120 ml/min  
DETECTOR TO WINDOW DISTANCE: 8.5 +/- 0.5 mm

UNLESS OTHERWISE SPECIFIED:  
DIMENSIONS ARE IN INCHES  
TOLERANCES

DECIMALS	ANGULAR
.XX ± .02	± 1/2°
.XXX ± .005	

DESIGN	DATE
K.F.M.	12/03/01
DESIGN	DATE
K.F. MARSHALL	12/4/01
CHECK	DATE
FRANK CECI	12/4/2001
PROJECT	DATE
DOO DOLAN	12/10/01
RFQ APPROV	DATE
N/A	-----
QA APPROV	DATE
D.F. GREENE	11/DECE01

TELEDYNE JUDSON TECHNOLOGIES  
A Teledyne Technologies Company

201 COMMERCE DRIVE  
PONTIAC, PA 15096

TITLE  
**J15016-M204-S01M-60**

SIZE: **C 56586** DWG NO: **450624P00** REV: **0**

NEXT ASSY USED ON

THIRD ANGLE  
PROJECTION

SCALE: 1:1 | DO NOT SCALE DWG | 1 of 1