

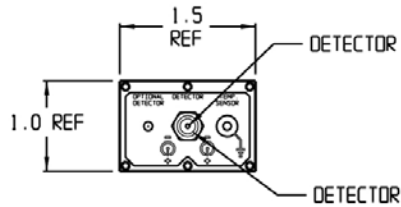
4

3

2

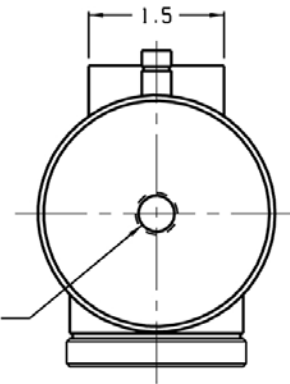
1

REVISIONS			
REV	DESCRIPTION	DATE	APPROVED
0	INITIAL RELEASE	11/18/02	WR/DFG

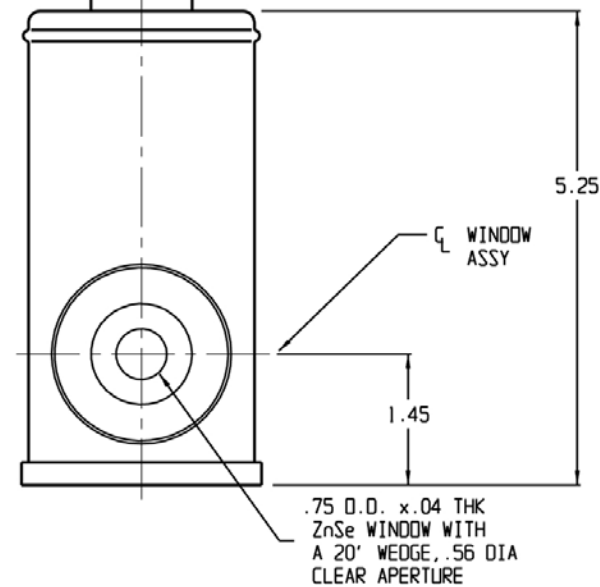
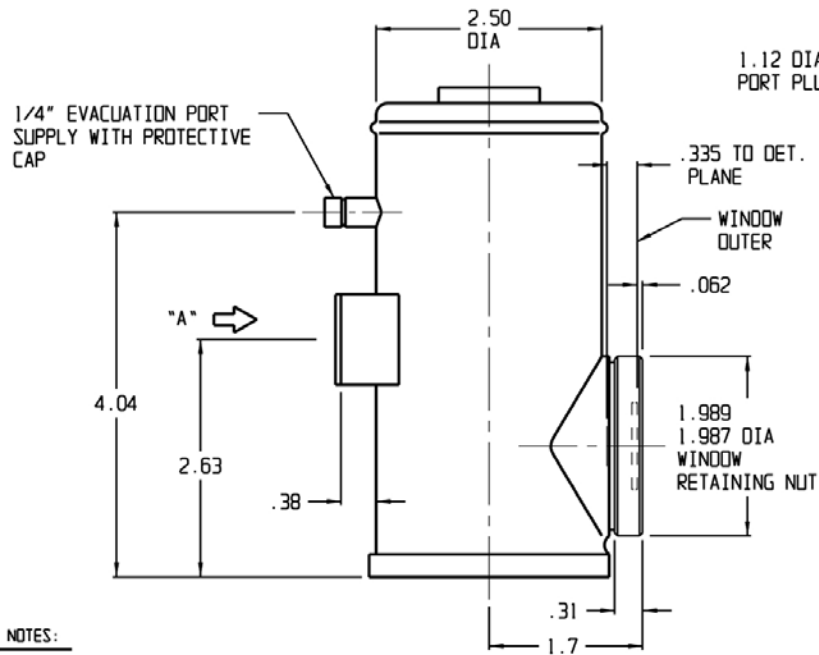


VIEW "A"

1/8" NPT FILL PORT
SHOWN WITH FILL
PORT PLUG REMOVED



1.12 DIA FILL
PORT PLUG



NOTES:

1. SPECIFICATION FOR PHOTOCONDUCTOR HgCdTe DETECTOR
 MATERIAL TYPE: HgCdTe
 ACTIVE AREA SIZE: 0.50 mm x 0.50 mm
- DETECTOR SPECIFICATIONS:
 77 Kelvin
 MINIMUM D* (PEAK, 10KHz, 1Hz): 3.0E10 cmHz^{1/2} W-1
 MINIMUM RESPONSIVITY (PEAK, 900Hz): 4,000 V/W
 MINIMUM WAVELENGTH CUTOFF: 20% at 12.0 um
 MAXIMUM POWER ON DETECTOR: 1 Joule cm⁻²
 FIELD OF VIEW: 60°
 WINDOW MATERIAL TYPE: ZnSe Wedged/20°
 MINIMUM HOLD TIME: 8 Hours
 MAXIMUM FLOW RATE: 120 nl/min
 DETECTOR TO WINDOW DISTANCE: 8.5 +/- 0.5 mm

UNLESS OTHERWISE SPECIFIED:
 DIMENSIONS ARE IN INCHES
 TOLERANCES

DECIMALS	ANGULAR
.XX ± .02	± 1/2°
.XXX ± .01	
XXX ± .005	

DRAWN	K.F.M.	DATE	11/18/02
DESIGN	K.F. MARSHALL	DATE	11/18/02
CHECK	FRANK CECI	DATE	11/19/02
PROJECT	N/A	DATE	-----
MFG APPROVAL	WILLIAM ROLLS	DATE	11/19/02
QA APPROVAL	D.F. GREENE	DATE	11/19/02
THIRD ANGLE PROJECTION			

DATE	11/18/02
DATE	11/18/02
DATE	11/19/02
DATE	-----
DATE	11/19/02
DATE	11/19/02

		221 COMMERCE DRIVE MONTGOMERYVILLE, PA 17036	
TITLE			
J15012-M204-S500U-60			
SIZE	DWG NO.	REV	
C 56586	450186-1P00	0	
SCALE	DO NOT SCALE DWG		SHEET 1 of 1

4

3

2

1