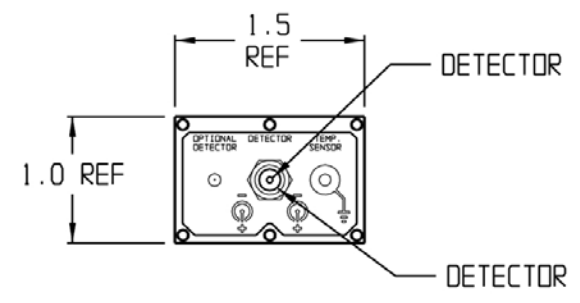
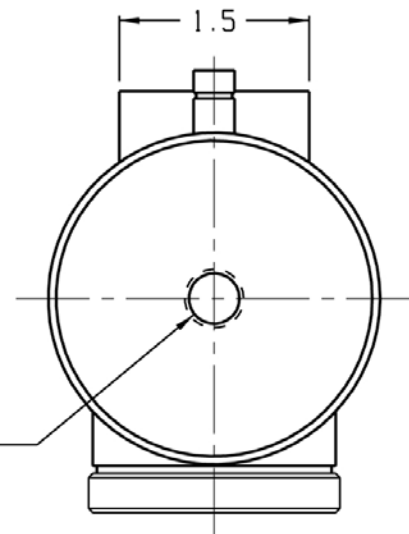


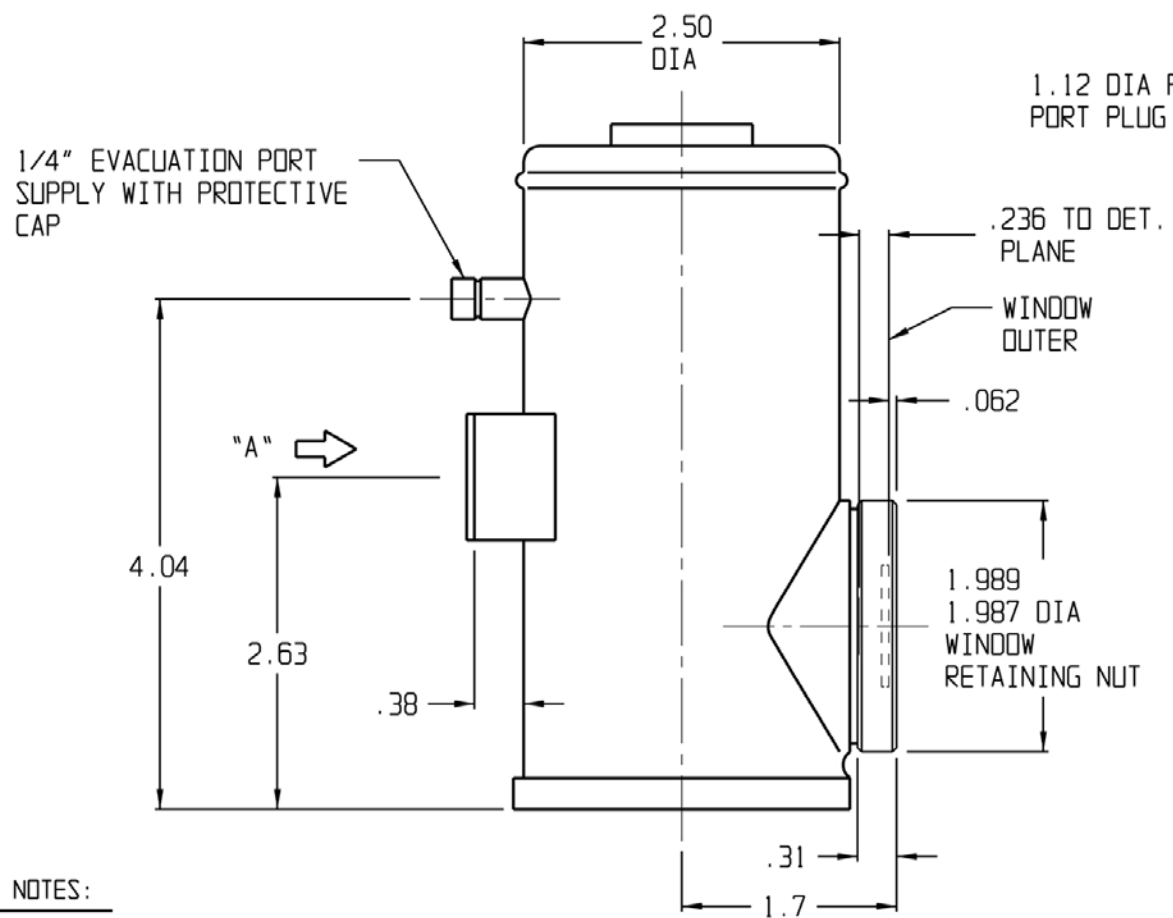
REVISIONS			
REV	DESCRIPTION	DATE	APPROVED
0	INITIAL RELEASE	03/28/03	DD/DFG



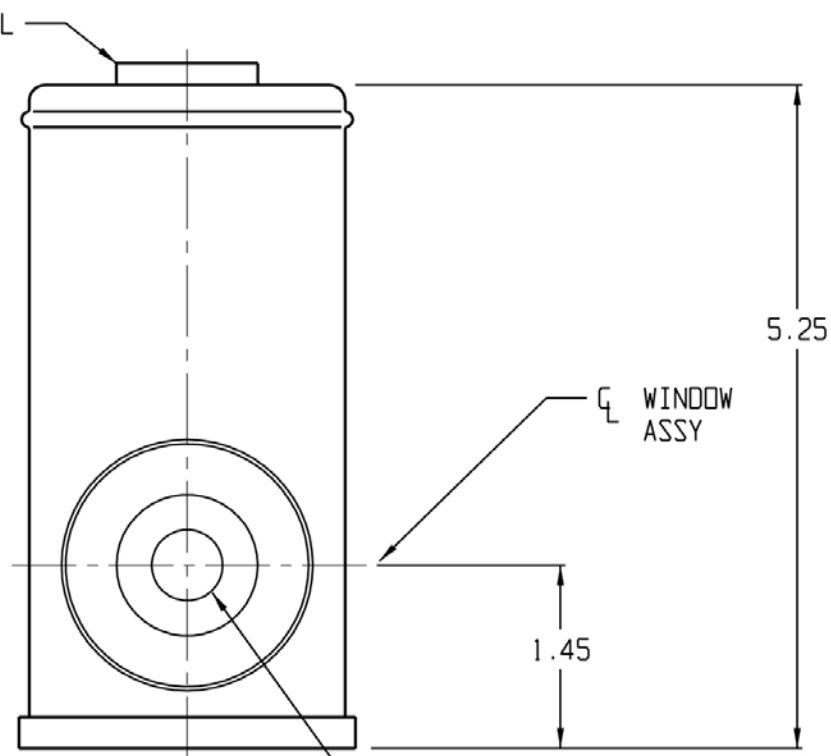
VIEW "A"



1/8" NPT FILL PORT SHOWN WITH FILL PORT PLUG REMOVED



1.12 DIA FILL PORT PLUG



.75 O.D. x .04 THK ZnSe WINDOW WITH A 20° WEDGE, .56 CLEAR APERTURE

NOTES:

- SPECIFICATION FOR PHOTOCONDUCTOR HgCdTe DETECTOR
 MATERIAL TYPE: HgCdTe
 ACTIVE AREA SIZE: 0.10 mm x 0.10 mm
 DETECTOR TESTED AT: 77 Kelvin
 MINIMUM D* (PEAK, 10KHz, 1Hz): 3.0E10 cmHz^{1/2} W-1
 MINIMUM RESPONSIVITY (PEAK, 900Hz): 40,000 V/W
 MINIMUM WAVELENGTH CUTOFF: 20% at 12.0 um
 MAXIMUM BIAS VOLTAGE: 0.70 Volts
 FIELD OF VIEW: 60°
 WINDOW MATERIAL TYPE: ZnSe Wedged/20°
 MINIMUM HOLD TIME: 8 Hours
 MAXIMUM FLOW RATE: 120 nl/min

UNLESS OTHERWISE SPECIFIED: DIMENSIONS ARE IN INCHES TOLERANCES		DRAWN	DATE
DECIMALS	ANGULAR	K.F.M.	03/28/03
.X ± .02	± 1/2°	DESIGN	
.XX ± .01		K.F. MARSHALL	3/28/03
.XXX ± .005		CHECK	
		FRANK CECI	3/31/2003
		PROJECT	
		DON DOLAN	4/11/03
		MFG APPRVL	
		WILLIAM ROLLS	4/14/03
		QA APPRVL	
		D.F. GREENE	4/14/03
		THIRD ANGLE PROJECTION	
NEXT ASSY	USED ON		

		221 COMMERCE DRIVE MONTGOMERYVILLE, PA 18936	
TITLE			
J15D12-M204-S100U-60			
SIZE	DWG NO.	REV	
C 56586	450156-1P00	0	
SCALE	DO NOT SCALE DWG	SHEET	
1:1		1 of 1	