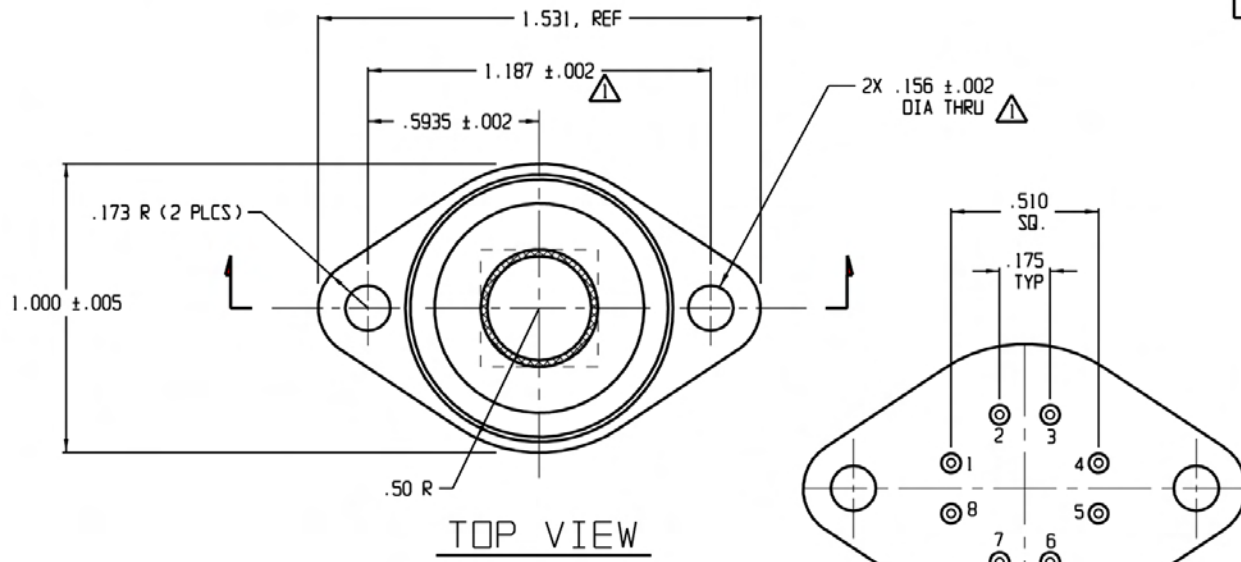
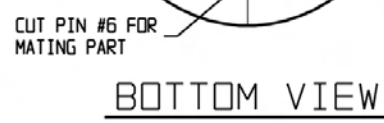


REVISIONS			
REV	DESCRIPTION	DATE	APPROVED
0	INITIAL RELEASE	05/14/02	WR/DFG
1	CHANGES PER DCN 403171	10/14/02	WR/DFG



PIN NO.	DESIGNATION COLOR	SLEEVE
1	THERMISTOR	YELLOW
2	DETECTOR CATHODE (-)	WHITE
3	DETECTOR ANODE (+)	GREEN
4	COOLER (-)	BLACK
5	COOLER (+)	RED
6	N/C	CLEAR
7	N/C	CLEAR
8	THERMISTOR	YELLOW



**NOTES:**

- DETECTOR CENTERED WITHIN  $\pm .005$  WITH RESPECT TO  $.156$  MOUNTING HOLES.
- FINISH: ALL EXPOSED METAL SURFACES - GOLD PLATED.
- SPECIFICATION FOR A THERMOELECTRICALLY COOLED PHOTOVOLTAIC HgCdTe DETECTOR

MATERIAL TYPE: PV HgCdTe 2.8 un  
 ACTIVE AREA SIZE: 1.0 mm DIA  
 PACKAGE SPECIFICATIONS: TD-66  
 DETECTOR SPECIFICATIONS AT:  $-85^{\circ}$  C (Unless Noted)  
 MINIMUM  $D^*$  (PEAK, 10KHz, 1Hz): 9.8E11 cmHz/2W-1  
 MINIMUM RESPONSIVITY (PEAK, 900HZ): 1.4 A/W  
 MINIMUM WAVELENGTH CUTOFF: 50% at 2.8 un  
 PEAK WAVELENGTH (typical): 2.6 un  
 MINIMUM DETECTOR SHUNT IMPEDANCE AT 22 °C: 750 Ohms  
 MINIMUM DETECTOR SHUNT IMPEDANCE: 1.6 Mohms  
 MAXIMUM REVERSE BIAS VOLTAGE ( $V_r$ ): 0.2 V  
 MAXIMUM DARK CURRENT ( $I_d$ ) AT  $V_r = .1V$ : 0.3 uA  
 WINDOW MATERIAL: Sapphire AR Coated 1-6 un

UNLESS OTHERWISE SPECIFIED: DIMENSIONS ARE IN INCHES TOLERANCES		DRAWN K.F.M.	DATE 01/17/02	TELEDYNE JUDSON TECHNOLOGIES A Teledyne Technologies Company		221 COMMERCE DRIVE MONTGOMERYVILLE, PA 18936
DECIMALS X ±.02 .XX ±.01 .XXX ±.005	ANGULAR ± 1/2°	DESIGN K.F. MARSHALL	DATE 4/17/02	TITLE J19TE4:2.8-3CN-R01M		
		CHECK FRANK CECI	DATE 4/17/2002	SIZE C		
		PROJECT DON DOLAN	DATE 4/23/02	DWG NO. 440043POD		
		MFG APPROV WILLIAM ROLLS	DATE 5/16/02	REV 1		
		QA APPROV D.F. GREENE	DATE 10MAY02	SCALE 3:1		
NEXT ASSY	USED ON	THIRD ANGLE PROJECTION		DO NOT SCALE DWG SHEET 1 of 1		

SECTIONAL SIDE VIEW

D  
C  
B  
A

4 3 2 1