

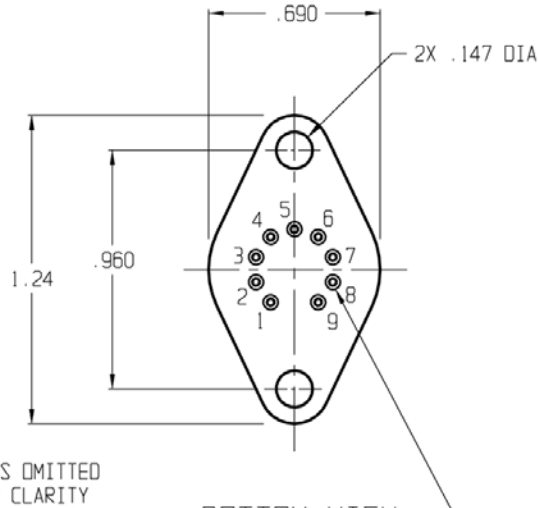
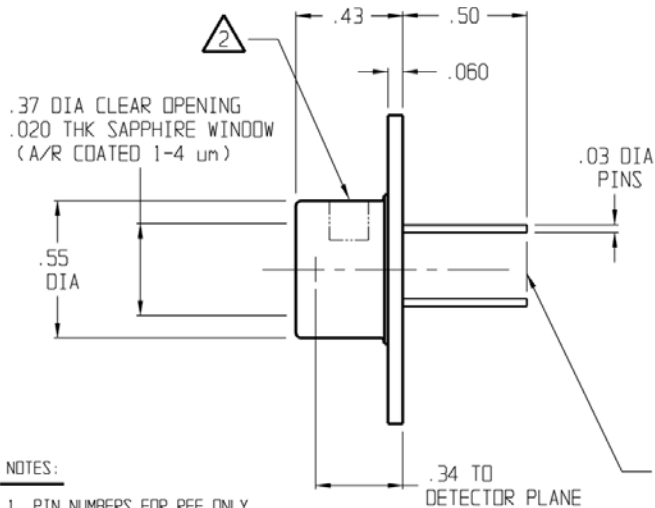
4

3

2

1

REVISIONS			
REV	DESCRIPTION	DATE	APPROVED
0	INITIAL RELEASE	04/16/02	WR/DFG



PIN CHART

PIN	FUNCTION	COLOR CODE
1	COOLER (+)	RED
2	CASE (GND)	CLEAR
3	DETECTOR ANODE (+)	GREEN
4	DETECTOR CATHODE (-)	WHITE
5	THERMISTOR	YELLOW
6	N/C	CLEAR
7	N/C	CLEAR
8	N/C	CLEAR
9	COOLER (-)	BLACK

NOTES:

- PIN NUMBERS FOR REF ONLY.
- PRODUCT MARKING.
- MATES WITH P/N 300359 SOCKET, TO-66, 9-PIN.
- WINDOW MATERIAL: SAPPHIRE AR COATED
- SPECIFICATION FOR A THERMOELECTRICALLY COOLED PHOTOVOLTAIC HgCdTe DETECTOR

MATERIAL TYPE: PV HgCdTe 2.8 um
 ACTIVE AREA SIZE: 1.0 mm Dia
 PACKAGE SPECIFICATIONS: TO-66
 DETECTOR SPECIFICATIONS AT: -65° C (Unless Noted)

MINIMUM D* (PEAK, 10KHz, 1Hz): 6.3E11 cmHz^{1/2}/W-1
 MINIMUM RESPONSIVITY (PEAK, 900Hz): 1.4 A/W
 MINIMUM WAVELENGTH CUTOFF: 50% at 2.8 um
 PEAK WAVELENGTH (TYPICAL): 2.6 um
 MINIMUM DETECTOR SHUNT IMPEDANCE AT 22° C: 750 Ohms
 MINIMUM DETECTOR SHUNT IMPEDANCE: 400 Kohms
 MAXIMUM REVERSE BIAS VOLTAGE (Vr): 0.2 V
 MAXIMUM DARK CURRENT (Id) AT Vr=.1V: 0.5 uA
 WINDOW MATERIAL: Sapphire AR Coated - 6 um

UNLESS OTHERWISE SPECIFIED: DIMENSIONS ARE IN INCHES:		DATE	04/15/02
TOLERANCES		DESIGN	K.F.M.
DECIMALS	ANGULAR	DATE	4/16/02
.X ± .02	± 1/2°	CHECK	K.F. MARSHALL
.XX ± .01		DATE	4/16/2002
.XXX ± .005		PROJECT	FRANK CECI
		DATE	-----
		PRG APPROV	N/A
		DATE	4/16/02
		QA APPROV	WILLIAM ROLLS
		DATE	4/17/02
		THIRD ANGLE PROJECTION	D.F. GREENE
NEXT ASSY	USED ON	SCALE	2:1

TELEDYNE JUDSON TECHNOLOGIES <small>A Teledyne Technologies Company</small>		221 COMMERCE DRIVE MONTGOMERYVILLE, PA 18936	
TITLE			
J19TE3:2.8-66C-R01M			
SIZE	DWG NO	REV	
B	56586	440042P00	0
SCALE		DO NOT SCALE DWG	
SHEET		1 of 1	

4

3

2

1