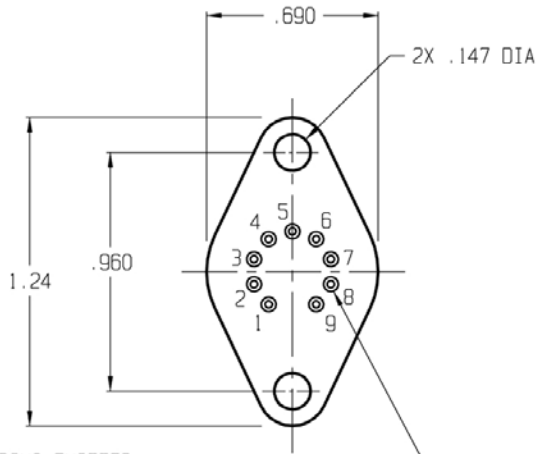
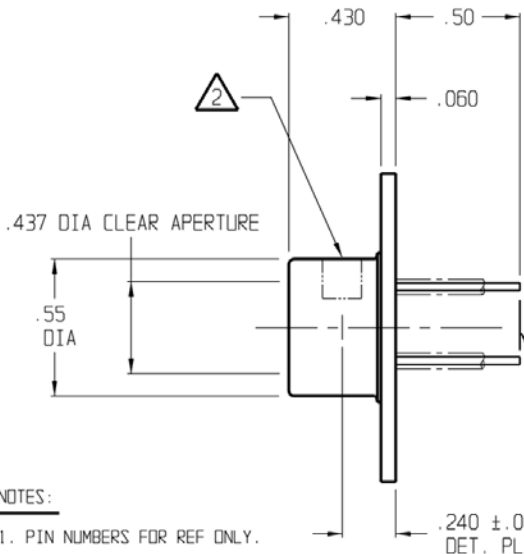


REVISIONS			
REV	DESCRIPTION	DATE	APPROVED
0	INITIAL RELEASE	05/24/02	WR/DFG



PIN CHART

PIN	FUNCTION	COLOR CODE
1	COOLER (+)	RED
2	CASE(GND)	CLEAR
3	DETECTOR ANODE (+)	GREEN
4	DETECTOR CATHODE (-)	WHITE
5	THERMISTOR	YELLOW
6	THERMISTOR	YELLOW
7	N/C	CLEAR
8	N/C	CLEAR
9	COOLER (-)	BLACK

BOTTOM VIEW

9X .030 DIA PINS ON  
.425 DIA B.C.  
SPACED 36° APART

**NOTES:**

1. PIN NUMBERS FOR REF ONLY.
2. PRODUCT MARKING.
3. MATES WITH P/N 300359 SOCKET, TO-66, 9-PIN.
4. SPECIFICATION FOR A THERMOELECTRICALLY COOLED PHOTOVOLTAIC HgCdTe DETECTOR  
 MATERIAL TYPE: PV HgCdTe 5.0 um  
 ACTIVE AREA SIZE: 1.0 mm Dia  
 PACKAGE SPECIFICATIONS: TO-66C  
 DETECTOR SPECIFICATIONS AT (UNLESS NOTED): -20° C  
 MINIMUM D\* (PEAK, 10KHz, 1Hz): 9.3E09 cmHz/1/2W-1  
 MINIMUM RESPONSIVITY (PEAK, 900Hz): 2.8 A/W  
 WAVELENGTH CUTOFF (TYPICAL): 50% at 5.0 um  
 PEAK WAVELENGTH (TYPICAL): 4.5 um  
 MINIMUM DETECTOR SHUNT IMPEDANCE: 200 Ohms  
 BIAS VOLTAGE (UNLESS): -0.1 V  
 MAXIMUM REVERSE BIAS VOLTAGE (Vr): 0.5 V  
 MAXIMUM DARK CURRENT (Id) AT Vr=.1V: 2.0 nA  
 WINDOW MATERIAL: Sapphire AR Coated 1-6 um

UNLESS OTHERWISE SPECIFIED: DIMENSIONS ARE IN INCHES:		DRWN <b>K.F.M.</b>	DATE <b>05/24/02</b>
<b>TOLERANCES</b>		DESIGN <b>K.F.MARSHALL</b>	DATE <b>5/24/02</b>
DECIMALS	ANGULAR	CHECK <b>FRANK CECI</b>	DATE <b>5/28/2002</b>
.X ± .02	± 1/2°	PROJECT <b>N/A</b>	DATE <b>-----</b>
.XX ± .01		DFG APPRVL <b>WILLIAM ROLLS</b>	DATE <b>5/30/02</b>
.XXX ± .005		QA APPRVL <b>D.F.GREENE</b>	DATE <b>6/3/02</b>
NEXT ASSY	USED ON	THIRD ANGLE PROJECTION	

 <small>TELEDYNE JUDSON TECHNOLOGIES A Teledyne Technologies Company</small>		<small>221 COMMERCE DRIVE MONTGOMERYVILLE, PA 18936</small>	
TITLE <b>J19TE1:5-66C-R01M</b>			
SIZE <b>B</b>	DWG NO. <b>56586</b>	REV <b>0</b>	REV <b>0</b>
SCALE 2:1	DO NOT SCALE DWG		SHEET 1 of 1