

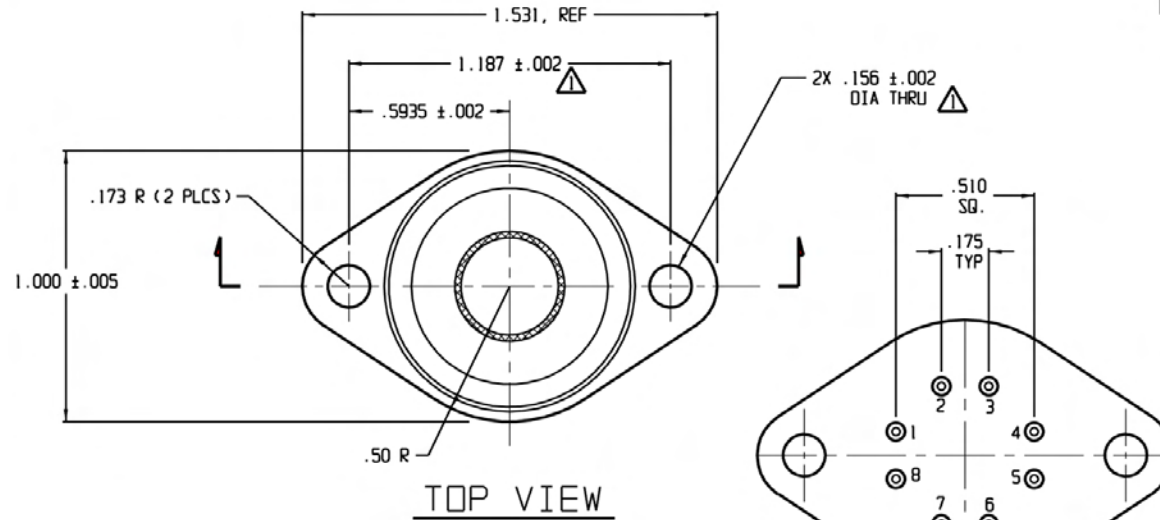
4

3

2

1

REVISIONS			
REV	DESCRIPTION	DATE	APPROVED
0	INITIAL RELEASE	10/10/02	WR/DFG
1	CHANGES PER DCN 403221	11/18/02	HY/DFG



TOP VIEW

CUT PIN #6 FOR
MATING PART

BOTTOM VIEW

PIN NO.	DESIGNATION COLOR	SLEEVE
1	THERMISTOR	YELLOW
2	DETECTOR CATHODE (-)	WHITE
3	DETECTOR ANODE (+)	GREEN
4	COOLER (-)	BLACK
5	COOLER (+)	RED
6	N/C	CLEAR
7	N/C	CLEAR
8	THERMISTOR	YELLOW

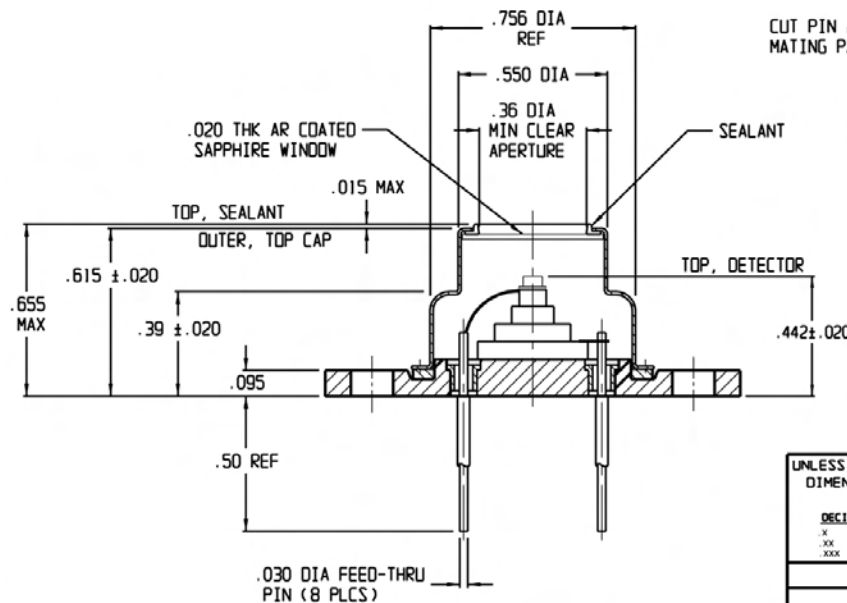
NOTES:

△ DETECTOR CENTERED WITHIN ± .005 WITH RESPECT TO
.156 MOUNTING HOLES.

2. FINISH:
ALL EXPOSED METAL SURFACES - GOLD PLATED.

3. SPECIFICATION FOR A THERMOELECTRICALLY COOLED PHOTOVOLTAIC
HgCdTe DETECTOR

MATERIAL TYPE: PV HgCdTe 5.0 um
ACTIVE AREA SIZE: 1.0 mm Dia
PACKAGE SPECIFICATIONS: TO-3
DETECTOR SPECIFICATIONS AT: -80° C
MINIMUM D* (PEAK, 1KHz, 1Hz): 3.3E10 cmHz1/2W-1
MINIMUM RESPONSIVITY (PEAK, 900HZ): 2.0 A/W
WAVELENGTH CUTOFF (TYPICAL): 50% at 5.0 um
PEAK WAVELENGTH (TYPICAL): 4.5 um
MINIMUM DETECTOR SHUNT IMPEDANCE: 360 ohms
BIAS VOLTAGE: 0.0 V
MAXIMUM REVERSE BIAS VOLTAGE (Vr): 0.5 V
MAXIMUM DARK CURRENT (Id) @ Vr: 120 uA
WINDOW MATERIAL: Sapphire AR Coated 1-6 um



SECTIONAL SIDE VIEW

UNLESS OTHERWISE SPECIFIED:
DIMENSIONS ARE IN INCHES
TOLERANCES

DECIMALS	ANGULAR
X = ± .02	± 1/2°
XX = ± .01	
XXX = ± .005	

DRAWN	K.F.M.	DATE	10/02/02
DESIGN	K.F. MARSHALL	DATE	10/10/02
CHECK	FRANK CECI	DATE	10/10/2002
PROJECT	N/A	DATE	*****
MFG. APPROVAL	WILLIAM ROLLS	DATE	10/10/02
QA APPROVAL	D. F. GREENE	DATE	10/10/02
THIRD ANGLE PROJECTION			

TELEDYNE JUDSON TECHNOLOGIES
A Teledyne Technologies Company

221 COMMERCE DRIVE
MONTGOMERYVILLE, PA 18936

TITLE
J19TE4:5-3CN-R01M

SIZE: **C** DWG NO.: **440023POD** REV: **1**

SCALE: 3:1 DO NOT SCALE DWG SHEET 1 of 1

4

3

2

1