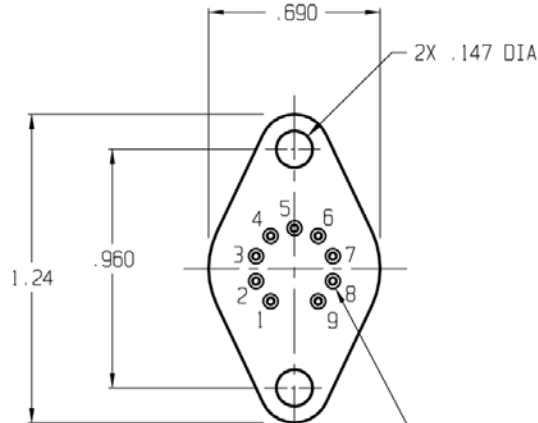
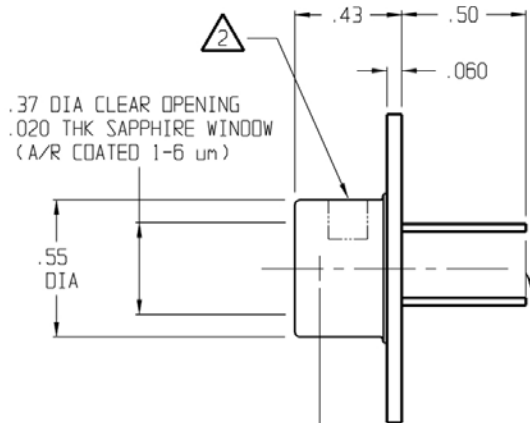


REVISIONS			
REV	DESCRIPTION	DATE	APPROVED
0	INITIAL RELEASE	07/30/02	WR/DFG



PIN CHART

PIN	FUNCTION	COLOR CODE
1	COOLER (+)	RED
2	CASE (GND)	CLEAR
3	DET ANODE (+)	GREEN
4	DET CATHODE (-)	WHITE
5	THERMISTOR	YELLOW
6		
7	N/C	CLEAR
8		
9	COOLER (-)	BLACK

NOTES:

- PIN NUMBERS FOR REF ONLY.
- PRODUCT MARKING.
- MATES WITH P/N 300359 SOCKET, TO-66, 9-PIN.

4. MATERIAL TYPE: PV HgCdTe 5.0 um
 ACTIVE AREA SIZE: 0.250 mm DIA
 PACKAGE SPECIFICATIONS: TO-66
 DETECTOR SPECIFICATIONS AT: -65° C
 BIAS VOLTAGE (Unless Noted): 0.0 V
 MAXIMUM REVERSE BIAS VOLTAGE: 0.5 V
 MINIMUM WAVELENGTH CUTOFF (Typical): 50% at 5.0 um
 WAVELENGTH PEAK (Typical): 4.5 um
 MAXIMUM DARK CURRENT: 24 uA
 MINIMUM PEAK RESPONSE: 1.9 A/W
 MINIMUM DETECTOR SHUNT IMPEDANCE: 1.6 Kohms
 MINIMUM DETECTIVITY (PEAK, 1KHz, 1Hz): 1.6E10
 WINDOW MATERIAL: Sapphire AR coated 1-6 um

PINS OMITTED FOR CLARITY

BOTTOM VIEW

9X .030 DIA PINS ON .425 DIA B.C. SPACED 36° APART

UNLESS OTHERWISE SPECIFIED: DIMENSIONS ARE IN INCHES:		DRAWN: K.F.M. DATE: 07/30/02		TELEDYNE JUDSON TECHNOLOGIES <small>A Teledyne Technologies Company</small>		221 EDMERGE DRIVE MONTGOMERYVILLE, PA 19936	
TOLERANCES		DESIGN: K.F. MARSHALL DATE: 7/31/02		TITLE: J19TE3:5-66C-R250U			
DECIMALS	ANGULAR	CHECK: FRANK CECI DATE: 7/31/2002					
.X ± .02	± 1/2°	PROJECT: N/A		SIZE: B	DWG NO: 56586	REV: 0	REV: 0
.XX ± .01		PFG APPROV: WILLIAM ROLLS DATE: 8/2/02		SCALE: 2:1		DO NOT SCALE DWG	
.XXX ± .005		QA APPROV: D.F. GREENE DATE: 8/6/02		SHEET: 1 of 1			
NEXT ASSY USED ON		THIRD ANGLE PROJECTION					