

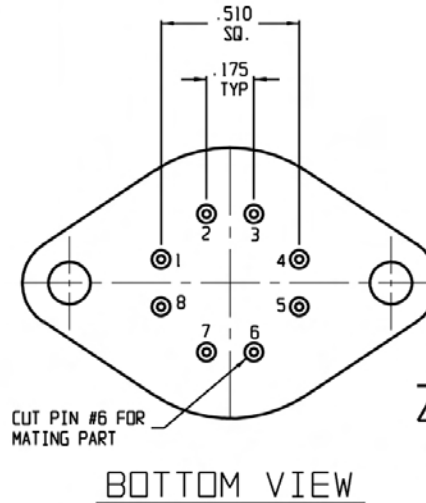
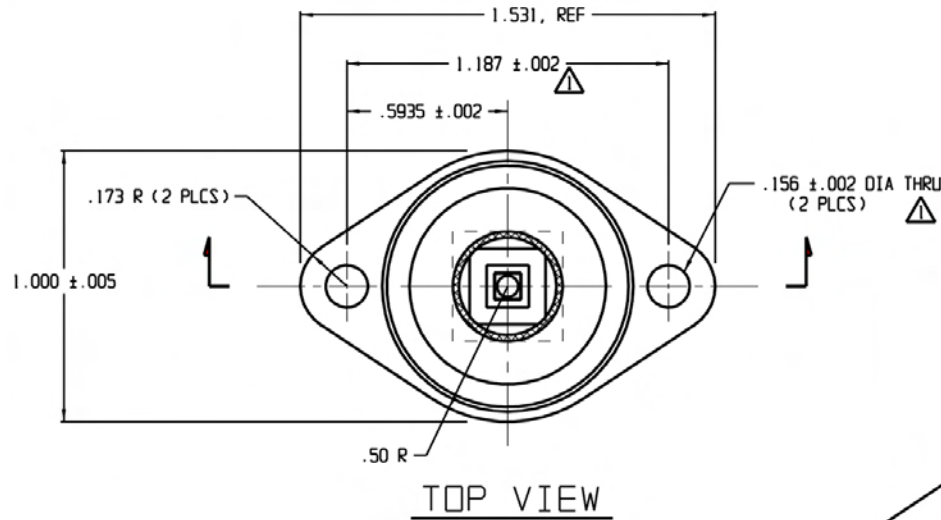
4

3

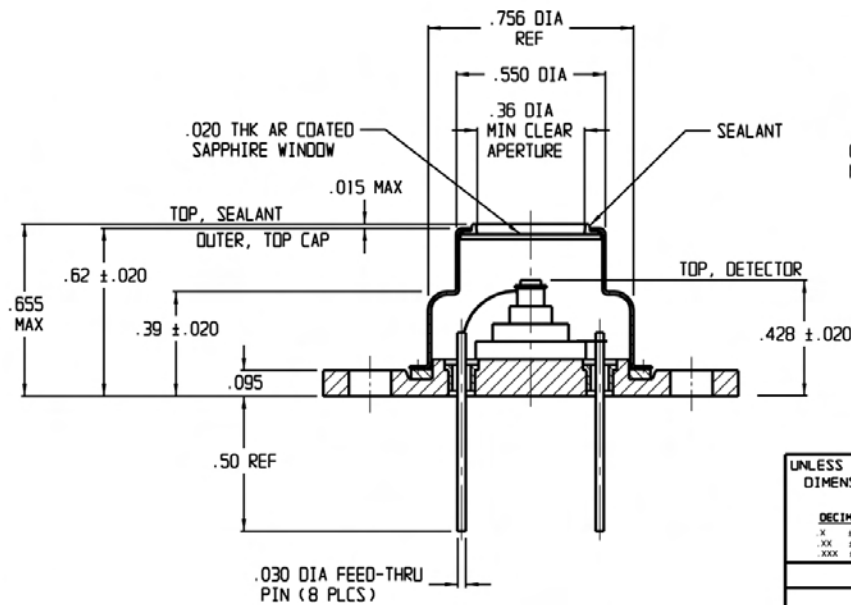
2

1

REVISIONS			
REV	DESCRIPTION	DATE	APPROVED
0	INITIAL RELEASE	04/12/99	FC/HD
1	CHANGES PER DCN 402287	11/03/00	WR/DFG



PIN NO.	DESIGNATION	SLEEVE COLOR
1	THERMISTOR	YELLOW
2	DETECTOR (-)	WHITE
3	DETECTOR (+)	GREEN
4	COOLER (-)	BLACK
5	COOLER (+)	RED
6	N/C	CLEAR
7	N/C	CLEAR
8	THERMISTOR	YELLOW



## NOTES:

▲ DETECTOR CENTERED WITHIN  $\pm .005$  WITH RESPECT TO  $.156$  MOUNTING HOLES.

2. FINISH:  
ALL EXPOSED METAL SURFACES - GOLD PLATED.

3. SPECIFICATIONS:  
MATERIAL TYPE: InAs  
ACTIVE AREA SIZE: 1.0 mm DIA  
PACKAGE SPECIFICATIONS: TO-3  
DETECTOR SPECIFICATIONS AT: -85 °C  
RESPONSE AT 1.3  $\mu$ m:  $\Rightarrow 0.25$  A/W  
PEAK RESPONSE:  $\Rightarrow 1.50$  A/W  
DETECTOR SHUNT IMPEDANCE AT 22 °C:  $\Rightarrow 15$  ohms  
DETECTOR SHUNT IMPEDANCE:  $\Rightarrow 25$  Kohms  
DETECTIVITY (PEAK, 1.0KHz, 1Hz):  $\Rightarrow 2.0E11$   
WINDOW MATERIAL: SAPPHIRE AR COATED

UNLESS OTHERWISE SPECIFIED:  
DIMENSIONS ARE IN INCHES  
TOLERANCES

DECIMALS	ANGULAR
X = $\pm .02$	$\pm 1/2^\circ$
XX = $\pm .01$	
XXX = $\pm .005$	

DRAWN	K.F.M.	DATE	04/12/99
DESIGN	K.F.M.	DATE	4/13/99
CHECK	FRANK CECI	DATE	4/13/99
PROJECT	N/A	DATE	-----
MFG APPROVAL	WILLIAM ROLLS	DATE	4/13/99
QA APPROVAL	HOAN DUONG	DATE	4/13/99
THIRD ANGLE PROJECTION			
NEXT ASSY	USED ON		

TELEDYNE JUDSON TECHNOLOGIES  
A Teledyne Technologies Company

221 COMMERCE DRIVE  
MONTGOMERYVILLE, PA 17056

TITLE	J12TE4-3CN-R01M		
SIZE	C	DWG NO.	420093POD 1
SCALE	3:1	DO NOT SCALE DWG	SHEET 1 of 1

4

3

2

1