

4

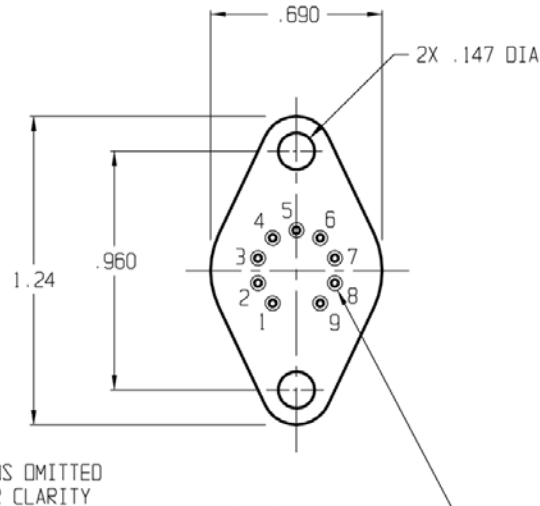
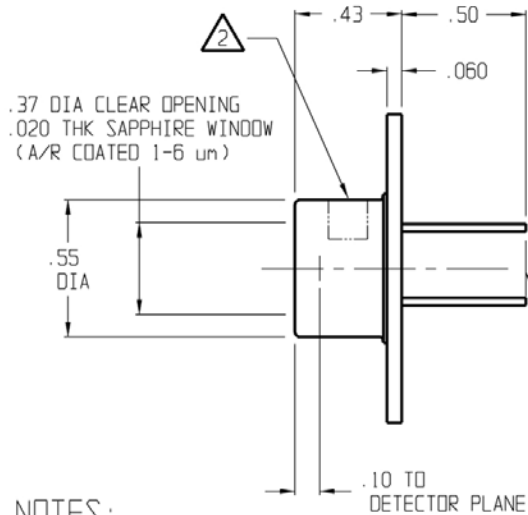
3

2

1

REVISIONS

REV	DESCRIPTION	DATE	APPROVED
0	INITIAL RELEASE	01/29/98	OG/JAH
1	CHANGES PER DCN 401538	04/29/99	FC/HD



PIN CHART

PIN	FUNCTION	COLOR CODE
1	COOLER (+)	RED
2	CASE (GND)	CLEAR
3	DETECTOR (+)	GREEN
4	DETECTOR (-)	WHITE
5	THERMISTOR	YELLOW
6		
7	N/C	CLEAR
8		
9	COOLER (-)	BLACK

NOTES:

1. PIN NUMBERS FOR REF ONLY.

2. PRODUCT MARKING.

3. MATES WITH P/N 300359 SOCKET, TD-66, 9-PIN.

4. WINDOW MATERIAL: SAPPHIRE AR COATED

5. DETECTOR SPECIFICATIONS:
 ACTIVE AREA SIZE: .25 mm DIAMETER
 DETECTOR TESTED AT -65 DEGREES CELSIUS
 RESPONSE (A/W) AT 1.3 μm: => .25
 PEAK RESPONSE (A/W): => 1.5
 DETECTOR SHUNT IMPEDANCE(-65 °C): => 160 kohms

BOTTOM VIEW

9X .030 DIA PINS ON
 .425 DIA B.C.
 SPACED 36° APART

UNLESS OTHERWISE SPECIFIED: DIMENSIONS ARE IN INCHES: TOLERANCES		DRN	K.F.M.	DATE	10/10/97	TELEDYNE JUDSON TECHNOLOGIES A Teledyne Technologies Company		221 COMMERCE DRIVE MONTGOMERYVILLE, PA 18936	
DECIMALS	ANGULAR	DESIGN	DRHAN GINGIS	DATE	2/6/98	TITLE			
.X ± .02	± 1/2°	CHECK	J.E.	DATE	2/11/98	J12TE3-66D-R250U			
.XX ± .01		PROJECT	N/A	DATE	-----	SIZE	B	DWG NO.	420081P00
.XXX ± .005		FIG APPRVL	ROBERT O'LEARY	DATE	2/13/98	REV	1		
		QA APPRVL	J HALL	DATE	2/13/98	SCALE		2:1	DO NOT SCALE DWG
NEXT ASSY	USED ON	THIRD ANGLE PROJECTION		SCALE		2:1		SHEET 1 of 1	

4

3

2

1