

4

3

2

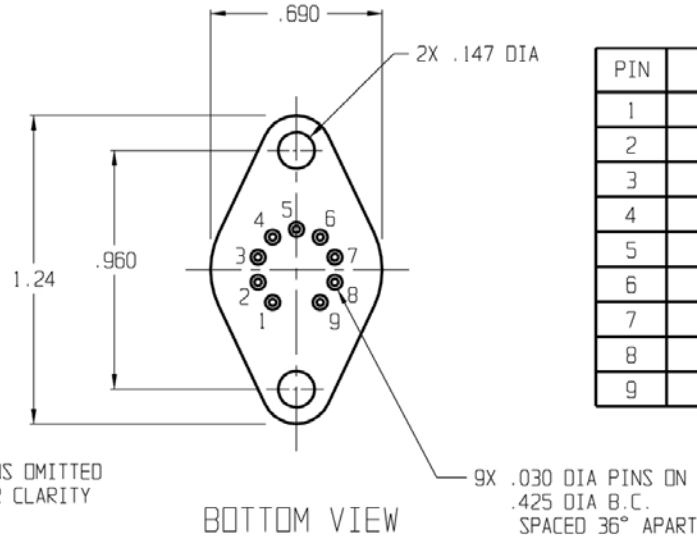
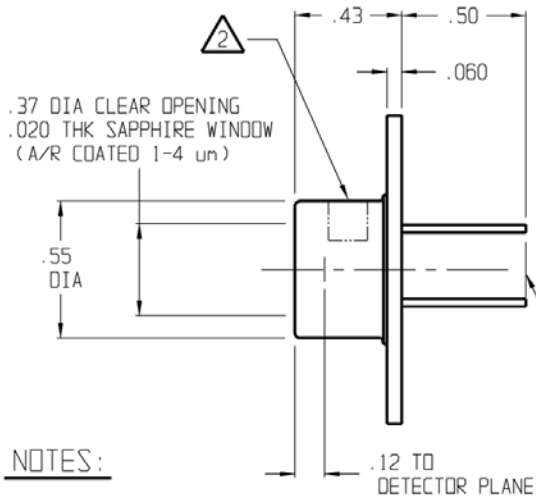
1

REVISIONS

REV	DESCRIPTION	DATE	APPROVED
2	CHANGES PER DCN 400712	09/05/96	KWM/RD' L
3	CHANGES PER DCN 400883	11/13/97	OG/JAH
4	CHANGES PER DCN 401033	06/16/98	OG/HD
5	CHANGES PER DCN 401538	04/29/99	FC/HD

PIN CHART

PIN	FUNCTION	COLOR CODE
1	COOLER (+)	RED
2	CASE (GND)	CLEAR
3	DETECTOR (+)	GREEN
4	DETECTOR (-)	WHITE
5	THERMISTOR	YELLOW
6	THERMISTOR	YELLOW
7	N/C	CLEAR
8	N/C	CLEAR
9	COOLER (-)	BLACK



NOTES:

- PIN NUMBERS FOR REF ONLY.
- PRODUCT MARKING.
- MATES WITH P/N 300359 SOCKET, TO-66, 9-PIN.

- DETECTOR SPECIFICATIONS:
MATERIAL TYPE: InAs
ACTIVE AREA SIZE: 1.0 μm DIAMETER
PACKAGE SPECIFICATIONS: TO-66
DETECTOR TESTED AT: -40 °C
RESPONSE (A/W) 1.3 μm : \geq 0.25 A/W
PEAK RESPONSE (A/W): \geq 1.50 A/W
DETECTOR SHUNT IMPEDANCE (22 °C): \geq 10 ohms
DETECTOR SHUNT IMPEDANCE (-40 °C): \geq 1,200 ohms
DETECTIVITY (PEAK, 1.0KHz, 1Hz): \geq 5.0E10
DETECTOR LINEAR TO (nA): \geq 1.0 nA
WINDOW MATERIAL: SAPPHIRE AR COATED

UNLESS OTHERWISE SPECIFIED: DIMENSIONS ARE IN INCHES:		DATE	09/05/96	 221 COMMERCE DRIVE MONTGOMERYVILLE, PA 18936	
TOLERANCES		DESIGN	N/A		
DECIMALS	ANGULAR	CHECK	9/6/96	TITLE	J12TE2-66D-R01M, OUTLINE
.X \pm .02	\pm 1/2°	PROJECT	N/A	SIZE	B
.XX \pm .01		DRG APPRVL	ROBERT O'LEARY	DWG NO.	420041P00
.XXX \pm .005		DATE	10/22/96	REV	5
		DATE		SCALE	2:1
				DO NOT SCALE DWG	SHEET 1 of 1
NEXT ASSY	USED ON	THIRD ANGLE PROJECTION			

4

3

2

1