

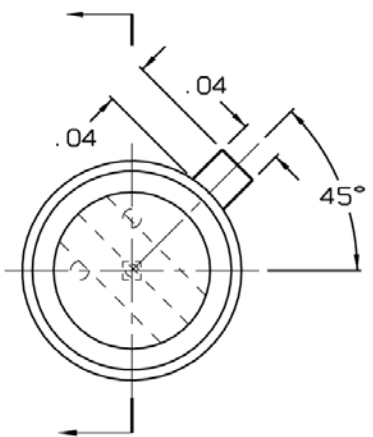
4

3

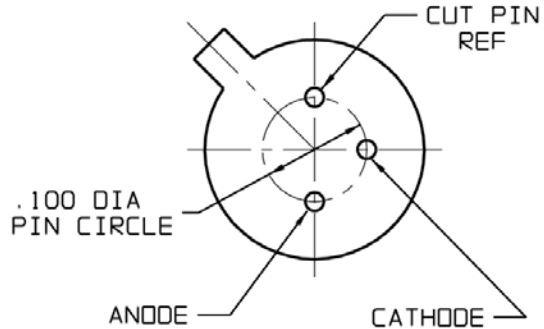
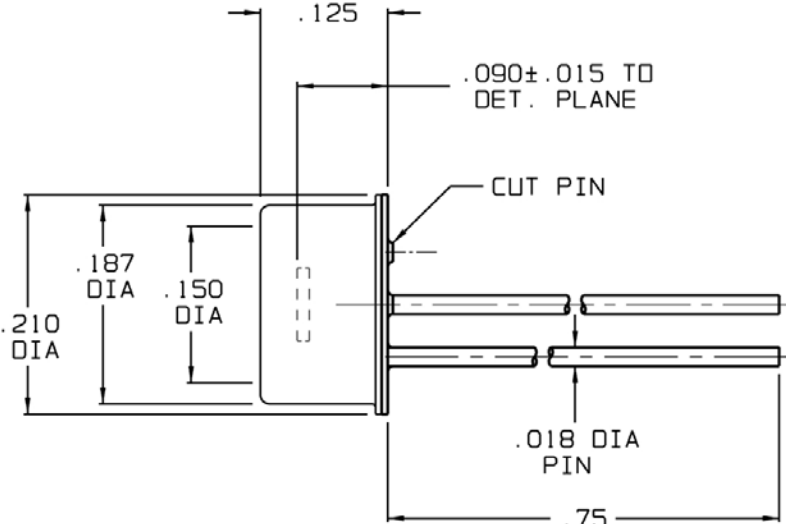
2

1

REVISIONS			
REV	DESCRIPTION	DATE	APPROVED
0	INITIAL RELEASE	08/14/00	WR/DFG



TOP VIEW



BOTTOM VIEW

NOTES:

1. DETECTOR CENTERED WITHIN ±.005 ON BASE.

2. SPECIFICATIONS:

MATERIAL TYPE:
ACTIVE AREA SIZE:
PACKAGE SPECIFICATION:

InAs
250 um DIA
TO-18

DETECTOR SPECIFICATION AT:
MINIMUM RESPONSE PEAK: 1.5 A/W
MINIMUM DETECTOR SHUNT IMPEDANCE AT Vr 10mV: 200 ohms
MINIMUM D* PEAK AT 1KHz: 6.0E09
WINDOW MATERIAL: SAPPHIRE

22 °C
1.5 A/W
200 ohms
6.0E09
SAPPHIRE

UNLESS OTHERWISE SPECIFIED: DIMENSIONS ARE IN INCHES: TOLERANCES	
DECIMALS	ANGULAR
.X ± .02	± 1/2°
.XX ± .01	
.XXX ± .005	
NEXT ASSY	USED ON

DRAW	K.F.M.	DATE	08/14/00
DESIGN	K.F.MARSHALL	DATE	8/14/00
CHECK	FRANK CECI	DATE	8/14/2000
PROJECT	N/A	DATE	-----
RFQ APPROV	WILLIAM ROLLS	DATE	8/15/00
QA APPROV	D.F.GREENE	DATE	8/16/00

TELEDYNE JUDSON TECHNOLOGIES
A Teledyne Technologies Company

221 COMMERCE DRIVE
MONTGOMERYVILLE, PA 18936

TITLE: J12-18C-R250U

SIZE: B 56586

DWG NO.: 420002POD

REV: 0

SCALE: 8:1

DO NOT SCALE DWG

SHEET 1 of 1

4

3

2

1