

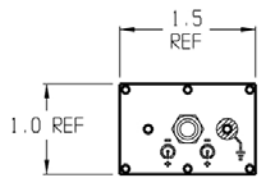
4

3

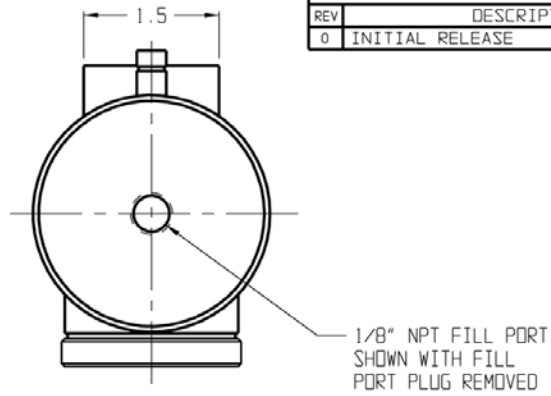
2

1

REVISIONS			
REV	DESCRIPTION	DATE	APPROVED
0	INITIAL RELEASE	12/08/98	FC/HO

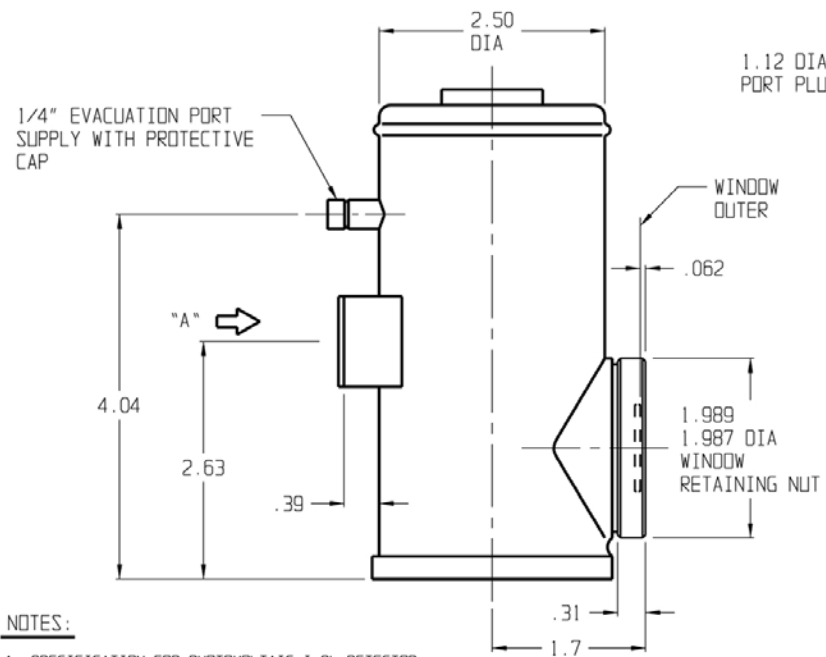


VIEW "A"



1.12 DIA FILL PORT PLUG

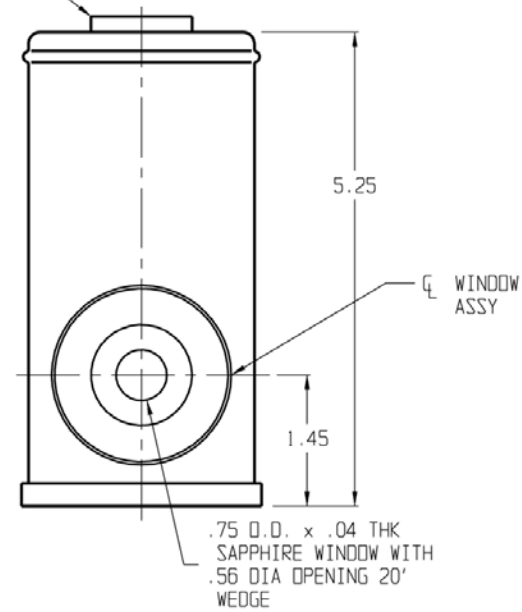
1/8" NPT FILL PORT SHOWN WITH FILL PORT PLUG REMOVED



1/4" EVACUATION PORT SUPPLY WITH PROTECTIVE CAP

WINDOW OUTER

1.989  
1.987 DIA  
WINDOW  
RETAINING NUT



5.25

WINDOW ASSY

.75 O.D. x .04 THK  
SAPPHIRE WINDOW WITH  
.56 DIA OPENING 20°  
WEDGE

NOTES:

- SPECIFICATION FOR PHOTOVOLTAIC InSb DETECTOR  
MATERIAL TYPE: InSb  
ACTIVE AREA SIZE: 1.0 mm DIA  
  
DETECTOR SPECIFICATIONS: 77 KELVIN  
MINIMUM D\* (PEAK, 1KHz, 1Hz): 1.5E11 cmHz<sup>1/2</sup> W-1  
MINIMUM PEAK RESPONSE: 2.5 A/W  
MINIMUM SHUNT IMPEDANCE: 250 Kohms  
MAXIMUM POWER ON DETECTOR: 1 JOULE  
MINIMUM LINEARITY: 1 nA OUTPUT OF CURRENT FROM DETECTOR  
FIELD OF VIEW: 60°  
WINDOW MATERIAL TYPE: SAPPHIRE WEDGED/20°  
MINIMUM HOLD TIME: 10 HOURS  
MAXIMUM N2 FLOW RATE: 120 ML/MIN

UNLESS OTHERWISE SPECIFIED: DIMENSIONS ARE IN INCHES		DESIGN	K.F.M.	DATE	12/08/98
<b>TOLERANCES</b>		CHECK	K.F.M.	DATE	12/9/98
DECIMALS	ANGULAR	PROJECT	FRANK CECI	DATE	12/10/98
.XX ± .02	± 1/2°	DESIGN	N/A	DATE	-----
.XX ± .01		DRG APPROV	WILLIAM ROLLS	DATE	12/10/98
.XXX ± .005		DRG APPROV	HOAN DUONG	DATE	12/10/98
		THIRD ANGLE PROJECTION			
NEXT ASSY	USED ON				

221 COMMERCE DRIVE MONTGOMERYVILLE, PA 18936	
TITLE	
<h1>J100-M204-R01M-60</h1>	
SIZE	REV
C 56586	0
DWG NO.	400005-1P00
SCALE	SHEET
1:1	1 of 1

4

3

2

1