

4

3

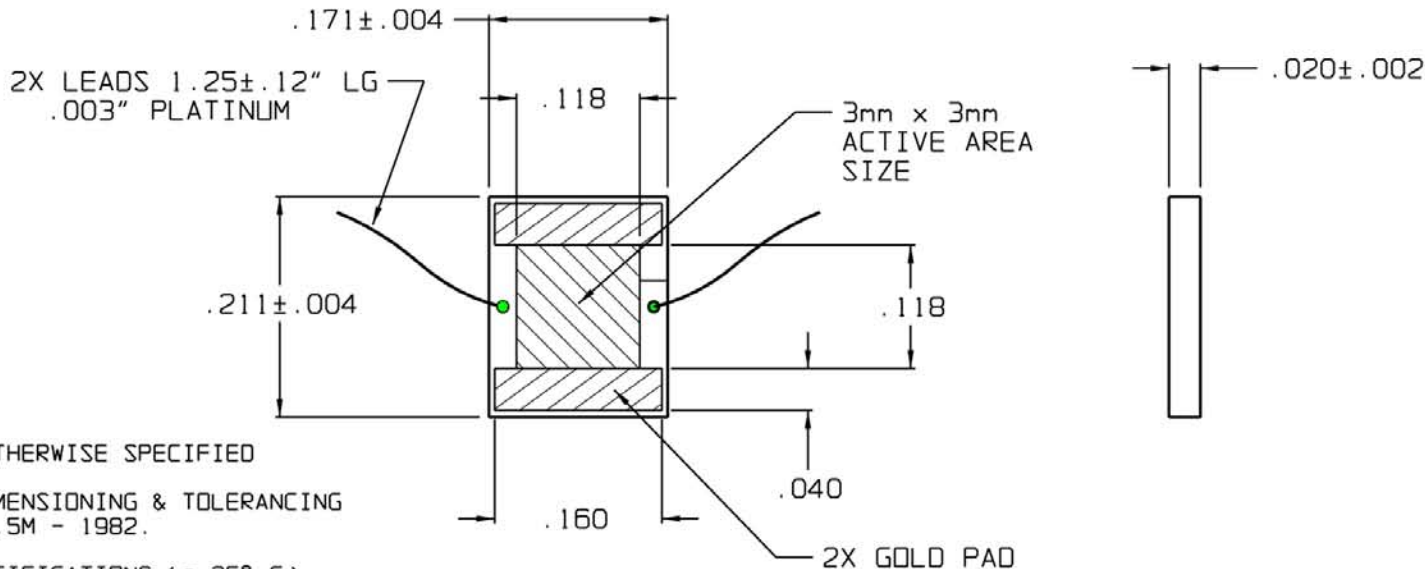
2

1

PROPRIETARY NOTICE:

THIS DOCUMENT AND THE DATA DISCLOSED HEREIN OR HEREWITH IS NOT TO BE REPRODUCED, USED, OR DISCLOSED IN WHOLE OR IN PART TO ANYONE WITHOUT THE PERMISSION OF JUDSON TECHNOLOGIES LLC.

REVISIONS			
REV	DESCRIPTION	DATE	APPROVED
0	INITIAL RELEASE	10/14/02	WR/DFG



UNLESS OTHERWISE SPECIFIED: DIMENSIONS ARE IN INCHES: TOLERANCES		<table border="1"> <tr><td>DRAWN</td><td>K.F.M.</td><td>DATE</td><td>10/14/02</td></tr> <tr><td>DESIGN</td><td>K.F.MARSHALL</td><td>DATE</td><td>10/14/02</td></tr> <tr><td>CHECK</td><td>FRANK CECI</td><td>DATE</td><td>10/14/2002</td></tr> <tr><td>PROJECT</td><td>N/A</td><td>DATE</td><td>-----</td></tr> <tr><td>DATE APPROVAL</td><td>WILLIAM ROLLS</td><td>DATE</td><td>10/14/02</td></tr> <tr><td>DATE APPROV</td><td>D.F.GREENE</td><td>DATE</td><td>10/14/02</td></tr> </table>	DRAWN	K.F.M.	DATE	10/14/02	DESIGN	K.F.MARSHALL	DATE	10/14/02	CHECK	FRANK CECI	DATE	10/14/2002	PROJECT	N/A	DATE	-----	DATE APPROVAL	WILLIAM ROLLS	DATE	10/14/02	DATE APPROV	D.F.GREENE	DATE	10/14/02	<p>TELEDYNE JUDSON TECHNOLOGIES A Teledyne Technologies Company</p> <p>221 COMMERCE DRIVE MONTGOMERYVILLE, PA 18936</p>
DRAWN	K.F.M.	DATE	10/14/02																								
DESIGN	K.F.MARSHALL	DATE	10/14/02																								
CHECK	FRANK CECI	DATE	10/14/2002																								
PROJECT	N/A	DATE	-----																								
DATE APPROVAL	WILLIAM ROLLS	DATE	10/14/02																								
DATE APPROV	D.F.GREENE	DATE	10/14/02																								
<table border="1"> <tr> <th>DECIMALS</th> <th>ANGULAR</th> </tr> <tr> <td>.X ± .02</td> <td rowspan="3">± 1/2°</td> </tr> <tr> <td>.XX ± .01</td> </tr> <tr> <td>.XXX ± .005</td> </tr> </table>		DECIMALS	ANGULAR	.X ± .02	± 1/2°	.XX ± .01	.XXX ± .005	TITLE <b>PE-0-03 W/LEADS</b>																			
DECIMALS	ANGULAR																										
.X ± .02	± 1/2°																										
.XX ± .01																											
.XXX ± .005																											
<table border="1"> <tr> <th>SIZE</th> <th>DWG NO</th> <th>REV</th> </tr> <tr> <td>B</td> <td>56586</td> <td>1500503POD</td> </tr> <tr> <td></td> <td></td> <td>0</td> </tr> </table>		SIZE	DWG NO	REV	B	56586	1500503POD			0	SCALE 4:1																
SIZE	DWG NO	REV																									
B	56586	1500503POD																									
		0																									
NEXT ASSY USED ON		DO NOT SCALE DWG SHEET 1 of 1																									

4

3

2

1