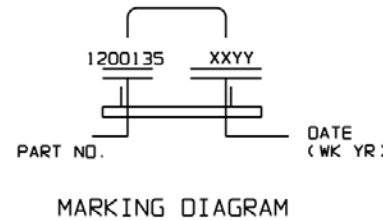
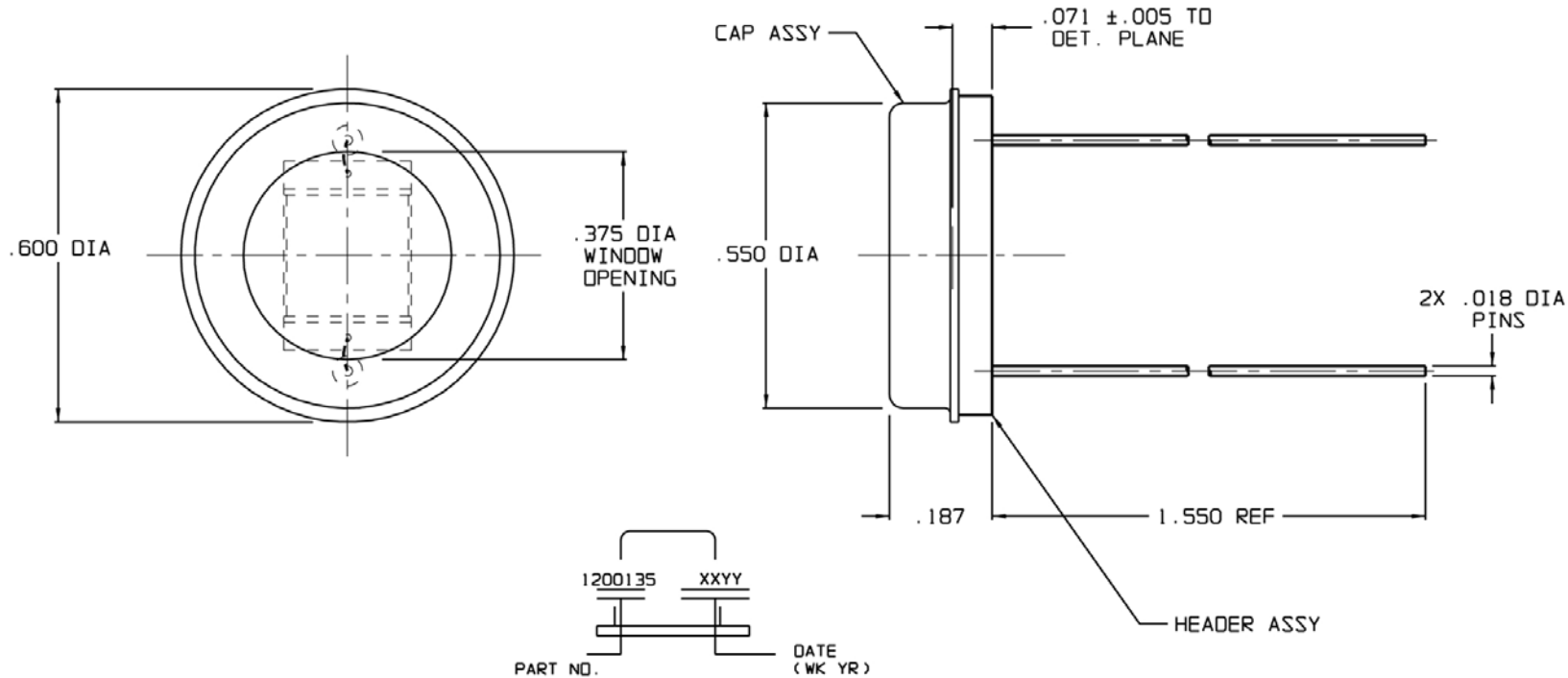


| REVISIONS | | | |
|-----------|-----------------|----------|----------|
| REV | DESCRIPTION | DATE | APPROVED |
| 0 | INITIAL RELEASE | 02/26/03 | WR/DFG |



NOTES:

1. SPECIFICATIONS
- | | |
|-------------------------------------|--|
| DETECTOR MATERIAL TYPE: | PbS3 |
| DETECTOR ACTIVE AREA SIZE: | 6.0 mm x 6.0 mm |
| BIAS LOAD RESISTOR: | 1 Mohm |
| DETECTOR BIAS: | 200 VDC |
| DETECTOR SPECIFICATIONS AT: | 25° C |
| MINIMUM D* (PEAK, 750Hz, 1Hz): | 7.7E10 cmHz ^{1/2} W ⁻¹ |
| MINIMUM RESPONSIVITY (PEAK, 750Hz): | 50,000 V/W |
| SPECTRAL RESPONSE: | 1 - 3 um |
| WAVELENGTH PEAK: | 2.5 um |
| DARK RESISTANCE: | 0.5 - 1.5 Mohms |
| TIME CONSTANT: | 150 - 350 us |
| WINDOW MATERIAL TYPE: | Sapphire |
| DETECTOR PACKAGE: | TO-8 |

| | | | | |
|---|---------|--|---|---|
| UNLESS OTHERWISE SPECIFIED: DIMENSIONS ARE IN INCHES TOLERANCES | | DRAWN: K.F.M. DESIGN: K.F. MARSHALL CHECK: FRANK CECI PROJECT: N/A MFG APPROV: WILLIAM ROLLS QA APPROV: D.F. GREENE | DATE: 02/26/03 DATE: 2/26/03 DATE: 2/26/2003 DATE: ----- DATE: 2/26/03 DATE: 2/27/03 | TELEDYNE JUDSON TECHNOLOGIES A Teledyne Technologies Company 221 COMMERCE DRIVE MONTGOMERYVILLE, PA 19036 |
| DECIMALS: .X ± .02, .XX ± .01, .XXX ± .005 ANGULAR: ± 1/2° | | | | TITLE: PS3-0-86 (2309) |
| NEXT ASSY | USED ON | THIRD ANGLE PROJECTION | SCALE: 6:1 | SIZE: C 56586 DWG NO.: 1200135POD REV: 0 |
| | | | DO NOT SCALE DWG | SHEET 1 of 1 |