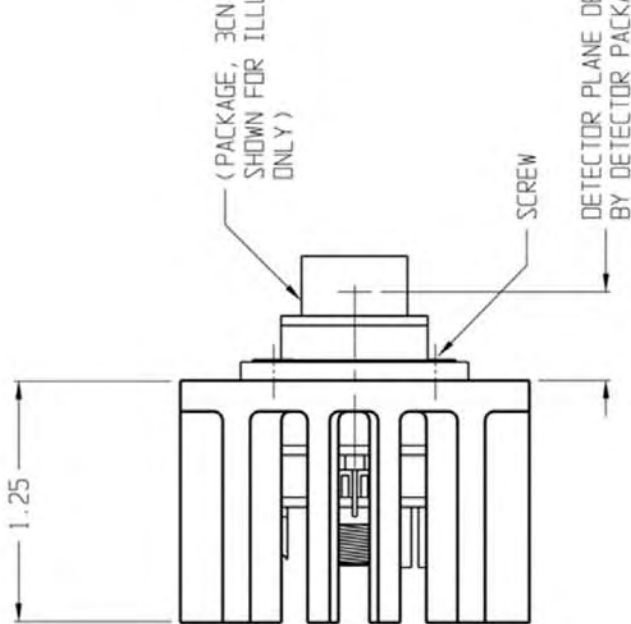
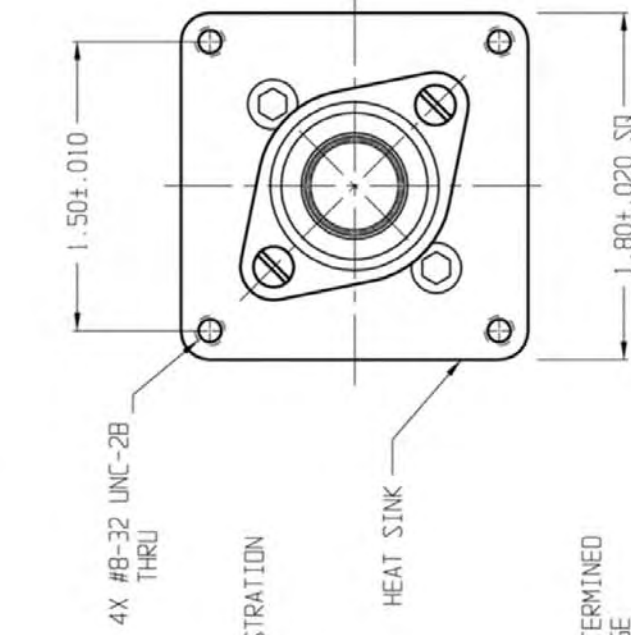
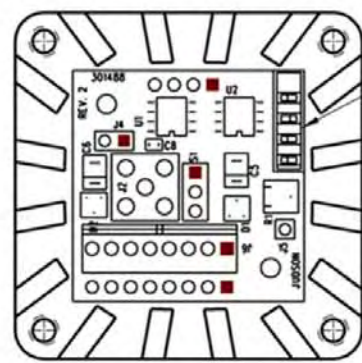


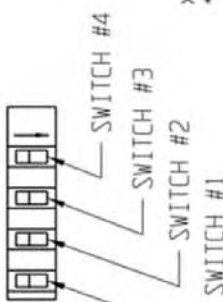
REVISIONS			
REV	DESCRIPTION	DATE	APPROVED
0	INITIAL RELEASE	03/24/03	



SEE VIEW "A"



VIEW "A"



SWITCH SETTING				
GAIN	SI-1	SI-2	SI-3	SI-4
100 K	X			N/A
1 M		X		N/A
10 M			X	N/A

X DENOTES SWITCH CLOSED.  
 \* NOTE: SWITCH MUST BE IN DIRECTION OF ARROW TO BE CLOSED.

DETAIL "B"

UNLESS OTHERWISE SPECIFIED: DIMENSIONS ARE IN INCHES

TOLERANCES  
 DECIMALS 1/100  
 ANGULAR 1/2°

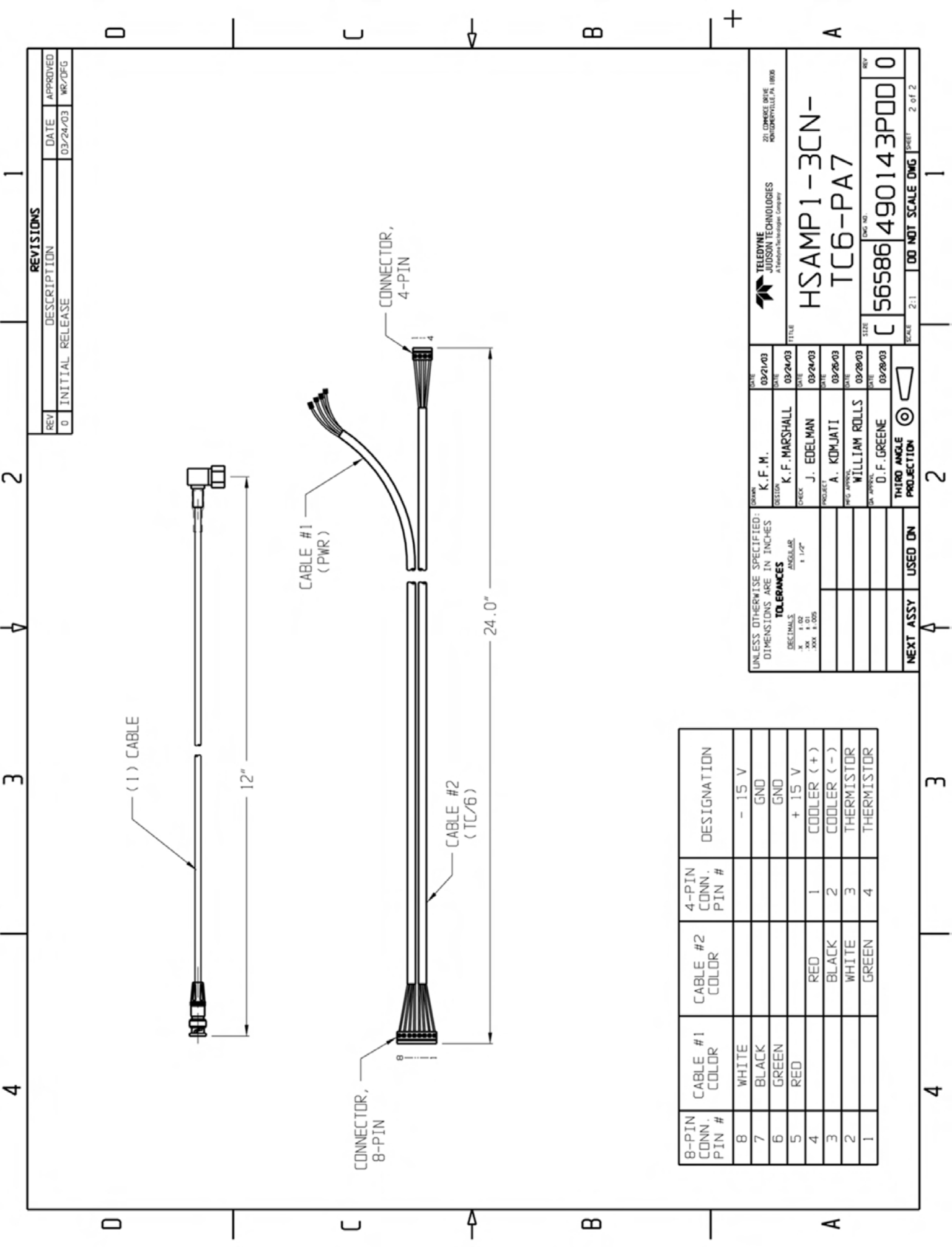
DESIGN	K.F.M.	DATE	03/21/03
DRAWN	K.F.M.	DATE	03/24/03
CHECK	J. EDELMAN	DATE	03/24/03
PROJECT	A. KIMJATI	DATE	03/26/03
PREL. APPROV.	WILLIAM ROLLS	DATE	03/28/03
APP. APPROV.	D.F. GREENE	DATE	03/28/03
THIRD ANGLE PROJECTION			

TELEDYNE JUSON TECHNOLOGIES  
 A Juson Technology Company  
 20 DOWNEY DRIVE  
 GAITHERSBURG, MD 20878

HSAMP1-3CN-TC6-PA7

REV C 56586 490143P00 0

SCALE 2:1 00 NOT SCALE DWG SHEET 1 of 2



REVISIONS			
REV	DESCRIPTION	DATE	APPROVED
0	INITIAL RELEASE	03/24/03	WR/DFG

UNLESS OTHERWISE SPECIFIED: DIMENSIONS ARE IN INCHES		DATE	03/21/03
TOLERANCES		DESIGN	K.F.M.
DECIMALS	ANGULAR	CHECK	K.F. MARSHALL
X ± .02	1/2°	DATE	03/24/03
XX ± .01		DATE	03/24/03
XXX ± .005		PROJECT	J. EDELMAN
		DATE	03/26/03
		REG. APPROVAL	A. KOMJATI
		DATE	03/26/03
		DATE	WILLIAM ROLLS
		DATE	03/26/03
		DATE	D.F. GREENE
		DATE	03/26/03
NEXT ASSY	USED ON	THIRD ANGLE	PRODUCTION

TELEDYNE  
JUDDSON TECHNOLOGIES  
A Teleflex Technologies Company

21 DUNICE DR.  
ROSELAND, NJ 07068

HSAMP1-3CN-  
TC6-PA7

SIZE: C 56586  
DWG. NO.: 490143P00  
REV: 0

SCALE: 2:1  
SHEET: 2 of 2

8-PIN CONN. PIN #	CABLE #1 COLOR	CABLE #2 COLOR	4-PIN CONN. PIN #	DESIGNATION
8	WHITE			- 15 V
7	BLACK			GND
6	GREEN			GND
5	RED			+ 15 V
4		RED	1	COOLER (+)
3		BLACK	2	COOLER (-)
2		WHITE	3	THERMISTOR
1		GREEN	4	THERMISTOR