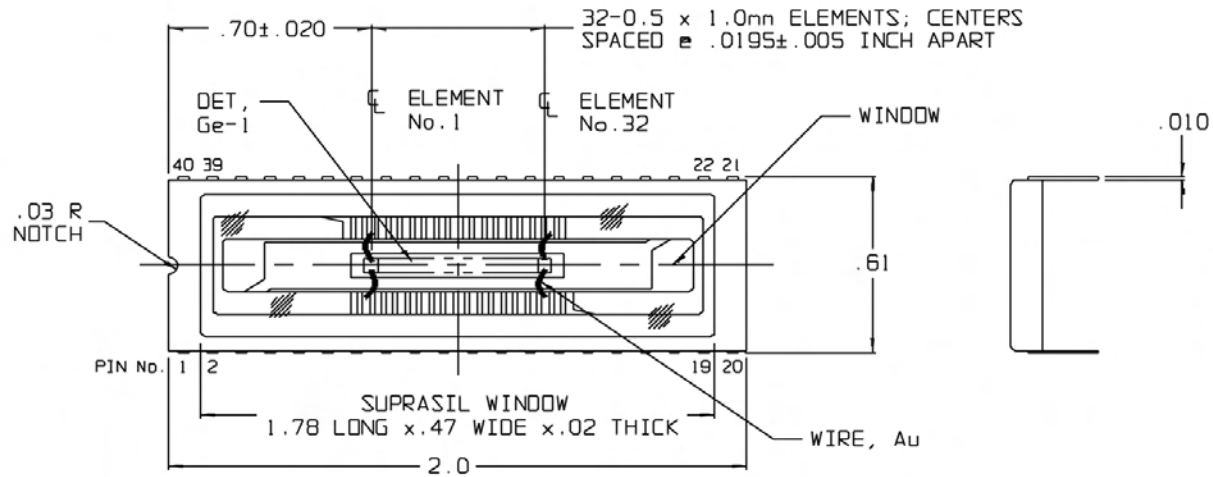
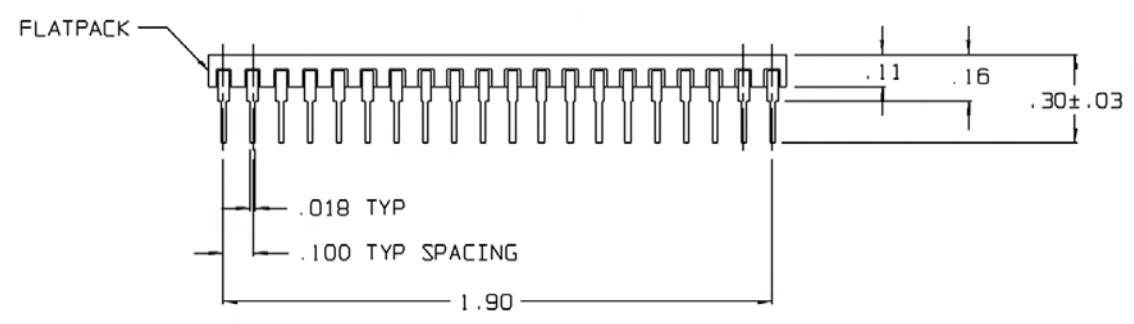


| REVISIONS | | | |
|-----------|-----------------|----------|----------|
| REV | DESCRIPTION | DATE | APPROVED |
| 0 | INITIAL RELEASE | 03/30/98 | WR/FC |



| PIN No. | ELEMENT No. / DESIGNATION | PIN No. | ELEMENT No. / DESIGNATION |
|---------|---------------------------|---------|---------------------------|
| 1 | SUBSTRATE | 21 | SUBSTRATE |
| 2 | N/C | 22 | N/C |
| 3 | 1 | 23 | 32 |
| 4 | 3 | 24 | 30 |
| 5 | 5 | 25 | 28 |
| 6 | 7 | 26 | 26 |
| 7 | 9 | 27 | 24 |
| 8 | 11 | 28 | 22 |
| 9 | 13 | 29 | 20 |
| 10 | 15 | 30 | 18 |
| 11 | 17 | 31 | 16 |
| 12 | 19 | 32 | 14 |
| 13 | 21 | 33 | 12 |
| 14 | 23 | 34 | 10 |
| 15 | 25 | 35 | 8 |
| 16 | 27 | 36 | 6 |
| 17 | 29 | 37 | 4 |
| 18 | 31 | 38 | 2 |
| 19 | N/C | 39 | N/C |
| 20 | N/C | 40 | N/C |



NOTES: SPECIFICATIONS

- ALL EXPOSED SURFACES OF FEED THRU LEADS TO BE GOLD PLATED.
- MATERIAL TYPE: Ge-SC
 ACTIVE AREA SIZE: 0.50 mm x 1.0 mm
 NUMBER OF ELEMENTS: 32
 PACKAGE SPECIFICATION: DIP-40I
 DETECTOR SPECIFICATIONS AT: 22 °C
 MINIMUM DETECTOR SHUNT IMPEDANCE (Rd): 350 Kohms
 MAXIMUM DARK CURRENT AT MAX Vr -0.25 V: 0.10 uA
 WINDOW MATERIAL: SUPRASIL

| | | |
|----------------------------------------------------------------|------------------------------------|---------|
| UNLESS OTHERWISE SPECIFIED DIMENSIONS ARE IN INCHES TOLERANCES | DECIMALS | ANGULAR |
| | X ± .02 .XX ± .01 XXX ± .005 | 1/2° |
| DESIGN | K.F.M. | DATE |
| CHECK | J.L.H. | DATE |
| PROJECT | N/A | DATE |
| MFG APPROVAL | WILLIAM ROLLS | DATE |
| QA APPROVAL | FRANK CECI | DATE |
| THIRD ANGLE PROJECT ION | | |
| NEXT ASSY | USED ON | |

TELEDYNE JUDSON TECHNOLOGIES 221 COMMERCE DRIVE HUNTSBERG, PA, USA 16830

TITLE: **J16P-40P-500U x 1m: 32E-SC**

SIZE: **C** DWG NO.: **56586 460143POD 0** REV: **0**

SCALE: 3:1 DD NOT SCALE DWG SHEET 1 of 1