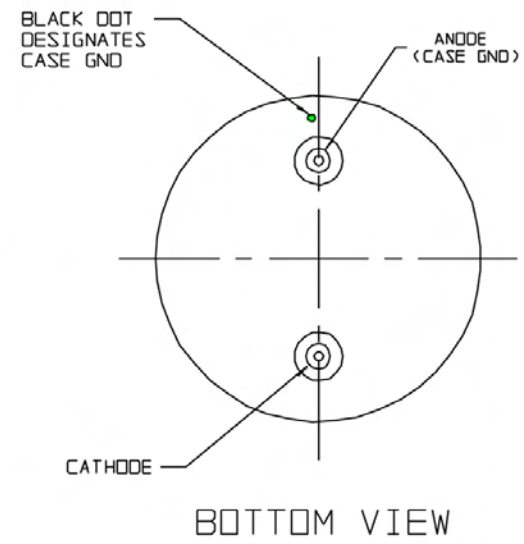
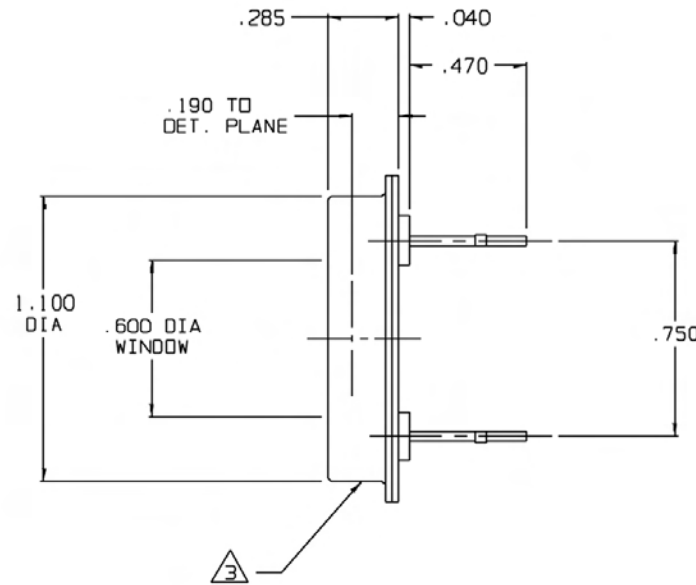
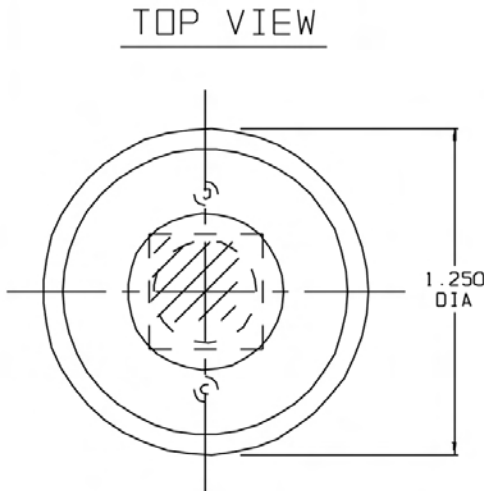


REVISIONS			
REV	DESCRIPTION	DATE	APPROVED
0	INITIAL RELEASE	03/08/00	WR/DFG
1	CHANGES PER DCN 402078	05/04/00	WR/DFG



NOTES:
UNLESS OTHERWISE SPECIFIED:

- 1) DETECTOR CONCENTRIC TO TOP CAP O.D. WITHIN ± 0.015 .
- 2) FINISH: CAP, HEADER AND PINS ARE GOLD PLATED.
- 3) PRODUCT MARKING.
- 4) MATERIAL TYPE: Ge-HS
ACTIVE AREA SIZE: 10.0 mm DIA
PACKAGE SPECIFICATION: PI

DETECTOR SPECIFICATION AT:
MINIMUM RESPONSE AT 1.3 μm : 0.6 A/W
MINIMUM RESPONSE AT 0.85 μm : 0.2 A/W
MINIMUM DETECTOR SHUNT IMPEDANCE (Rd): 1 Kohn
MAXIMUM REVERSE VOLTAGE (Vr): 2.0 VOLTS
MAXIMUM DARK CURRENT AT MAX Vr: 400 μA
WINDOW MATERIAL: BOROSILICATE GLASS

UNLESS OTHERWISE SPECIFIED: DIMENSIONS ARE IN INCHES: TOLERANCES		DRN K.F.M.	DATE 03/08/00
DECIMALS	ANGULAR	DESIGN K.F. MARSHALL	DATE 3/8/00
x \pm .02	\pm 1/2°	CHECK FRANK CECI	DATE 3/8/2000
.xx \pm .01		PROJECT N/A	DATE -----
.xxx \pm .005		APPROVAL WILLIAM ROLLS	DATE 3/9/00
		DATE APPROVAL D.F. GREENE	DATE 3/9/00
NEXT ASSY	USED ON	THIRD ANGLE PROJECTION	

221 COMMERCE DRIVE MONT GOMERYVILLE, PA. USA 18936	
TITLE J16-P1-R10M-HS	
SIZE 8 56586	DWG NO. 460062-3P00
REV 1	SHEET 1 of 1
SCALE 2:1	DO NOT SCALE DWG