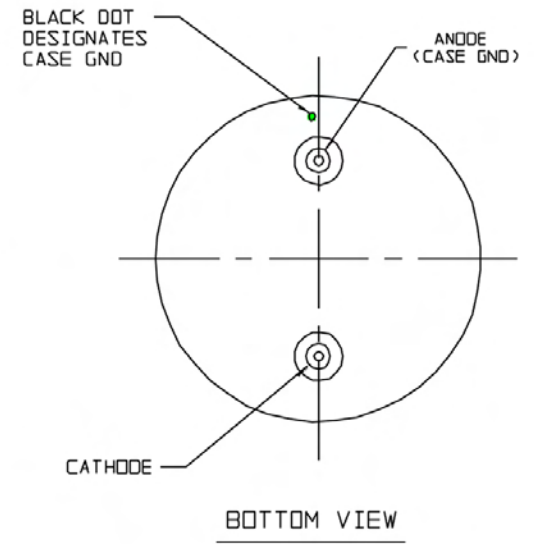
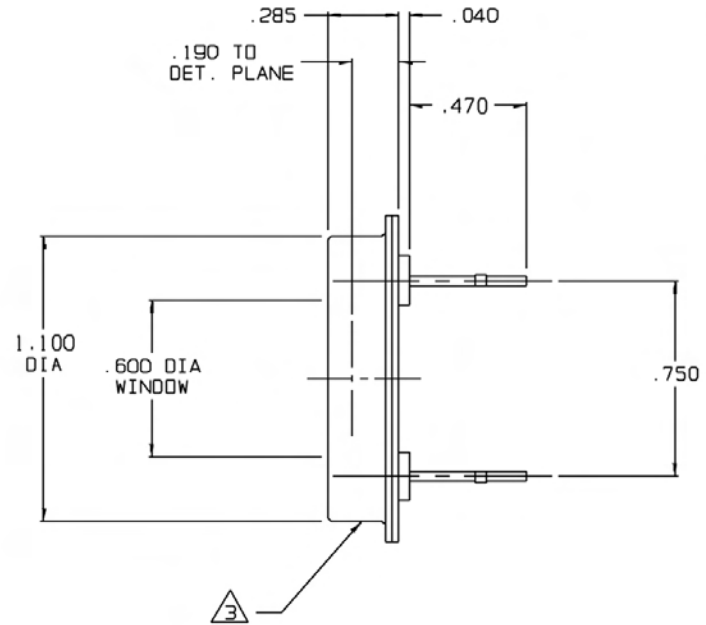
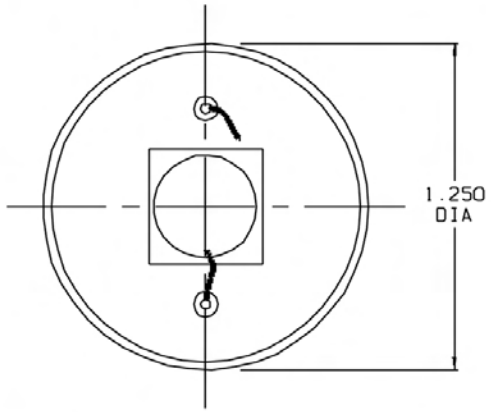


REVISIONS			
REV	DESCRIPTION	DATE	APPROVED
0	INITIAL RELEASE	01/29/01	WR/DFG

TOP VIEW - CAP REMOVED



- NOTES:
- UNLESS OTHERWISE SPECIFIED:
- 1) DETECTOR CONCENTRIC TO TOP CAP O.D. WITHIN  $\pm .015$ .
  - 2) FINISH: CAP, HEADER AND PINS ARE GOLD PLATED.
  - 3) PRODUCT MARKING.

4) MATERIAL TYPE: Ge  
 ACTIVE AREA SIZE: 10.0 mm DIA  
 PACKAGE SPECIFICATION: P1

DETECTOR SPECIFICATION AT: 22 °C  
 MINIMUM RESPONSE AT 1.3  $\mu\text{m}$ : 0.6 A/W  
 MINIMUM RESPONSE AT 0.85  $\mu\text{m}$ : 0.2 A/W  
 MINIMUM DETECTOR SHUNT IMPEDANCE (Rd): 1 Kohms  
 MAXIMUM REVERSE VOLTAGE (Vr): 5.0 VOLTS  
 MAXIMUM DARK CURRENT AT MAX Vr: 400 uA  
 WINDOW MATERIAL: BOROSILICATE GLASS

UNLESS OTHERWISE SPECIFIED: DIMENSIONS ARE IN INCHES: TOLERANCES		DATE
DECIMALS	ANGULAR	DATE
x ± .02	± 1/2°	01/29/01
.xx ± .01		1/29/01
.xxx ± .005		1/30/2000
		DATE
		1/30/01
		DATE
		1/30/01
		DATE
		1/30/01
		DATE
		1/30/01
		DATE
		1/30/01

UNLESS OTHERWISE SPECIFIED: DIMENSIONS ARE IN INCHES: TOLERANCES		DATE
DECIMALS	ANGULAR	DATE
x ± .02	± 1/2°	01/29/01
.xx ± .01		1/29/01
.xxx ± .005		1/30/2000
		DATE
		1/30/01
		DATE
		1/30/01
		DATE
		1/30/01
		DATE
		1/30/01
		DATE
		1/30/01

TELEDYNE JUDSON TECHNOLOGIES  
 A Teledyne Technologies Company

221 CONNER DRIVE  
 HUNT GEMERYVILLE, PA. USA 18936

TITLE: **J16-P1-R10M**

SIZE: **8 56586** DWG NO.: **460052P00** REV: **0**

SCALE: 2:1 DO NOT SCALE DWG SHEET 1 of 1

NEXT ASSY USED ON THIRD ANGLE PROJECTION