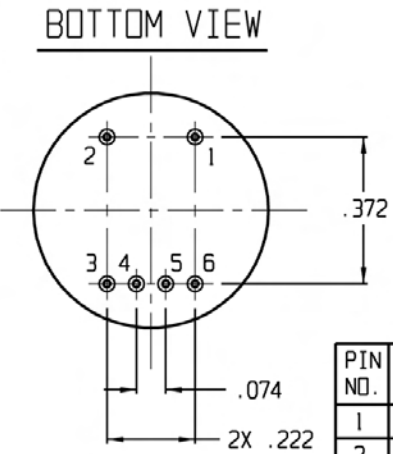
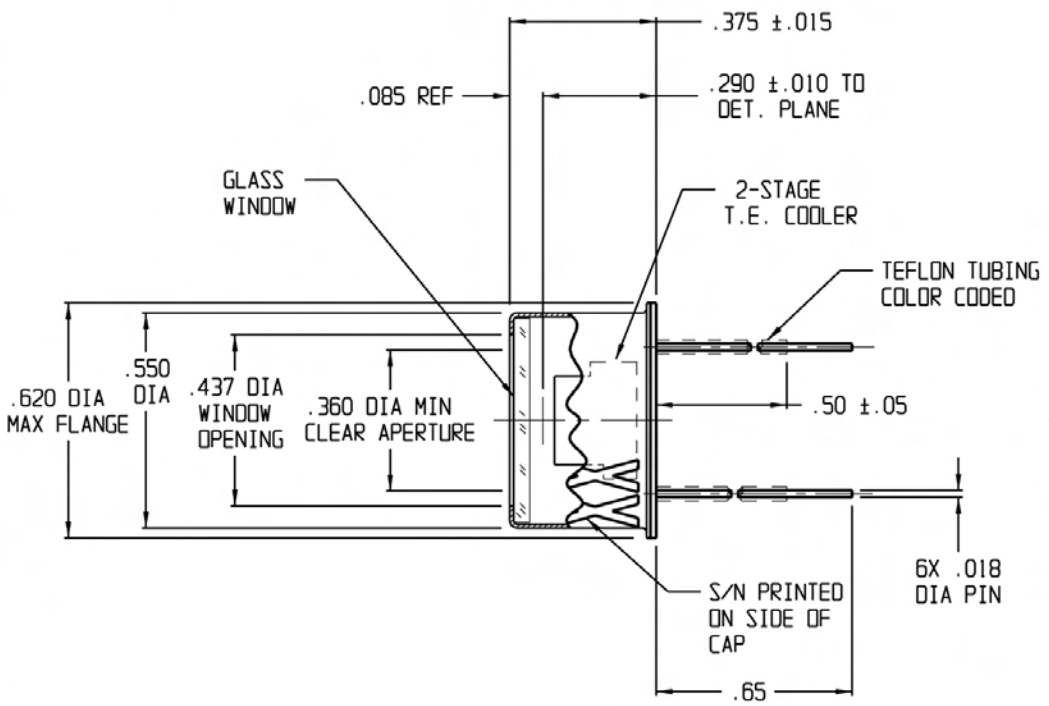


REVISIONS			
REV	DESCRIPTION	DATE	APPROVED
0	INITIAL RELEASE	01/13/03	WR/DFG



PIN NO.	CONNECTION	COLOR CODE OF TUBING
1	T.E. COOLER (+)	RED
2	T.E. COOLER (-)	BLACK
3	DETECTOR (+) ANODE	GREEN
4	THERMISTOR	YELLOW
5	THERMISTOR	
6	DETECTOR (-) CATHODE	WHITE

NOTE(S):

- SPECIFICATION FOR A THERMOELECTRICALLY COOLED Ge DETECTOR
 MATERIAL TYPE: Ge-SC
 ACTIVE AREA SIZE: 1.0 mm DIA
 PACKAGE SPECIFICATIONS: TO-8
 DETECTOR SPECIFICATIONS AT: -30 °C
 MINIMUM PEAK RESPONSE AT 1.3 um: 0.6 A/W
 MINIMUM DETECTOR SHUNT IMPEDANCE AT 22 °C: 250 Kohms
 MINIMUM DETECTOR SHUNT IMPEDANCE: 40 Mohms
 MAXIMUM REVERSE VOLTAGE (V_r): 0.25 V
 WINDOW MATERIAL: BORSILICATE GLASS

UNLESS OTHERWISE SPECIFIED: DIMENSIONS ARE IN INCHES: TOLERANCES		DRAWN: K.F.M. DATE: 01/13/03 DESIGN: K.F. MARSHALL DATE: 1/13/03 CHECK: FRANK CECI DATE: 1/13/03 PROJECT: N/A DATE: ----- RFL APPROV: WILLIAM ROLLS DATE: 1/13/03 QA APPROV: D.F. GREENE DATE: 1/14/03	TITLE: J16TE2-8A6-R01M-SC SIZE: B DWG NO: 460033-1P00 REV: 0	221 COMMERCE DRIVE MONTGOMERYVILLE, PA 18936 TELETYPE TECHNOLOGIES A Teledyne Technologies Company
DECIMALS: .X ± .02 .XX ± .01 .XXX ± .005 ANGULAR: ± 1/2°	NEXT ASSY USED ON	THIRD ANGLE PROJECTION	SCALE: 3:1 DO NOT SCALE DWG SHEET: 1 of 1	