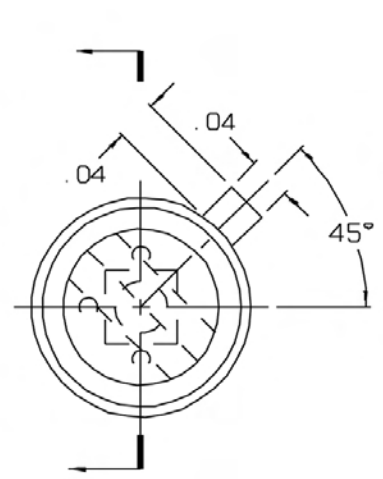
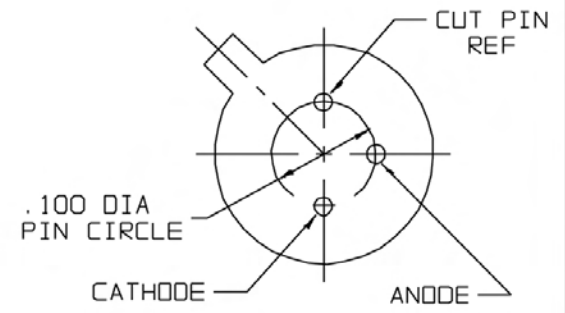
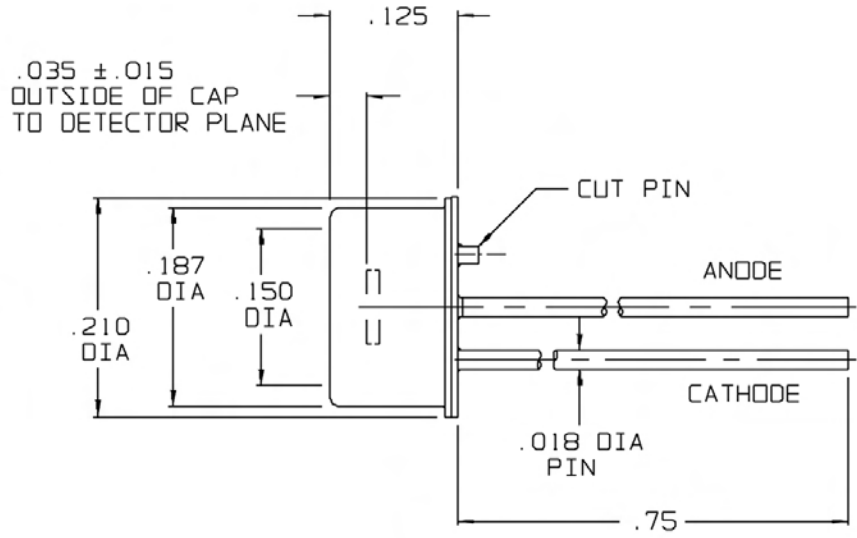


REVISIONS			
REV	DESCRIPTION	DATE	APPROVED
0	INITIAL RELEASE	08/24/99	FC/HD



TOP VIEW



BOTTOM VIEW

NOTES:

- DETECTOR CENTERED WITHIN ±.005 ON BASE.
- SPECIFICATION FOR A ROOM TEMPERATURE Ge DETECTOR:
 MATERIAL TYPE: Ge-HS
 ACTIVE AREA SIZE: 1.0 mm DIA
 PACKAGE SPECIFICATION: TO-18
 DETECTOR SPECIFICATION AT: 22 °C
 MINIMUM RESPONSE AT 1.3 um: 0.6 A/W
 MINIMUM RESPONSE AT 0.85 um: 0.2 A/W
 MINIMUM DETECTOR SHUNT IMPEDANCE (Rd): 100 Kohms
 MAXIMUM REVERSE VOLTAGE (Vr): -10.0 VOLTS
 MAXIMUM DARK CURRENT AT MAX Vr: 5.0 uA
 WINDOW MATERIAL: BOROSILICATE GLASS

UNLESS OTHERWISE SPECIFIED: DIMENSIONS ARE IN INCHES: TOLERANCES		DRAWN K.F.M.	DATE 08/24/99
DECIMALS	ANGULAR	DESIGN K.F.M.	DATE 8/24/99
x ± .02	± 1/2°	CHECK FRANK CECI	DATE 8/25/99
.xx ± .01		PROJECT N/A	DATE -----
.xxx ± .005		ENG APPROV. WILLIAM ROLLS	DATE 8/25/99
		QA APPROV. HOAN DUONG	DATE 8/25/99
NEXT ASSY	USED ON	THIRD ANGLE PROJECTION	

TELEDYNE JUDSON TECHNOLOGIES <small>A Teledyne Technologies Company</small>		221 CONMERCE DRIVE MONTGOMERYVILLE, PA. USA 18936	
TITLE J16-18A-RO1M-HS PRODUCT OUTLINE			
SIZE 8	DWG NO. 460011-4P00	REV 0	
SCALE 8:1		DO NOT SCALE DWG	
SHEET 1 of 1			