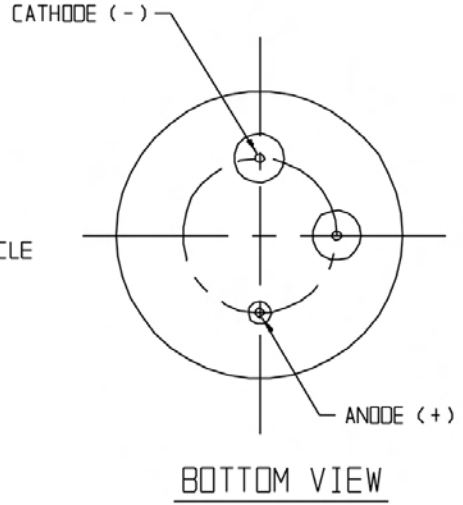
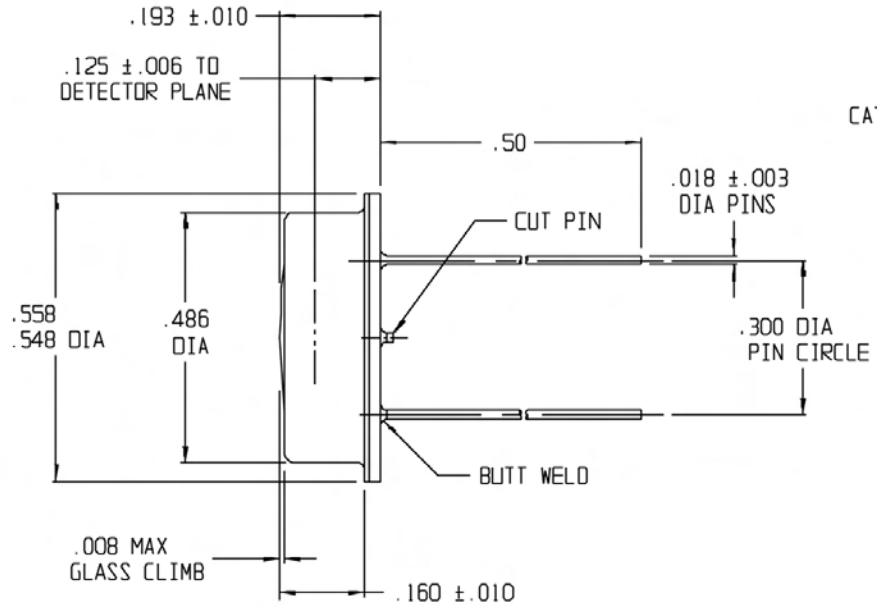
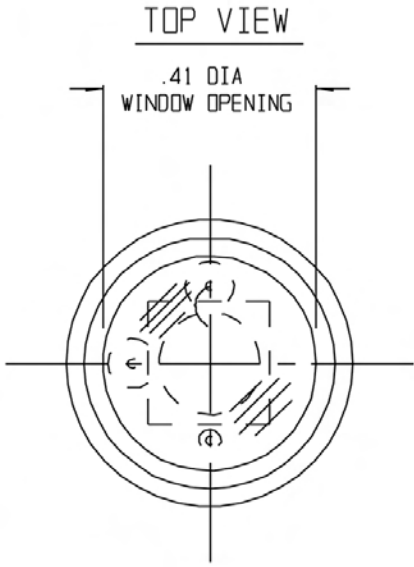


REVISIONS			
REV	DESCRIPTION	DATE	APPROVED
0	INITIAL RELEASE	11/20/98	FC/HO
1	CHANGES PER DCN 402308	11/15/00	WR/DFG



NOTE:

1. DETECTOR CENTERED ±.015 TO HEADER.

2. SPECIFICATIONS:
 MATERIAL TYPE:
 ACTIVE AREA SIZE:
 PACKAGE SPECIFICATION:

J16
 Ge
 5.0 mm DIA
 TD-8

ROOM TEMPERATURE
 0.6 A/W
 0.2 A/W
 10 Kohms
 5.0 VOLTS
 50 uA
 BOROSILICATE GLASS

DETECTOR SPECIFICATIONS:
 MINIMUM RESPONSE AT 1.3 um:
 MINIMUM RESPONSE AT 0.85 um:
 MINIMUM DETECTOR SHUNT IMPEDANCE (Rd):
 MAXIMUM REVERSE VOLTAGE (Vr):
 DARK CURRENT AT MAX Vr:
 WINDOW MATERIAL:

UNLESS OTHERWISE SPECIFIED: DIMENSIONS ARE IN INCHES: TOLERANCES		DESIGN	DATE
DECIMALS	ANGULAR	K.F.M.	11/20/98
x ±.02	± 1/2°	K.F.M.	11/20/98
.xx ±.01		FRANK CECI	11/20/98
.xxx ±.005		N/A	
		WILLIAM ROLLS	11/20/98
		HOAN DUONG	11/20/98
NEXT ASSY	USED ON	THIRD ANGLE PROJECTION	

221 CONMERCE DRIVE MONT GOMERYVILLE, PA, USA 18936	
TITLE	
J16-8SP-R05M	
SIZE	REV
8 56586	460008P00 1
SCALE	SHEET
4:1	DO NOT SCALE DWG 1 of 1