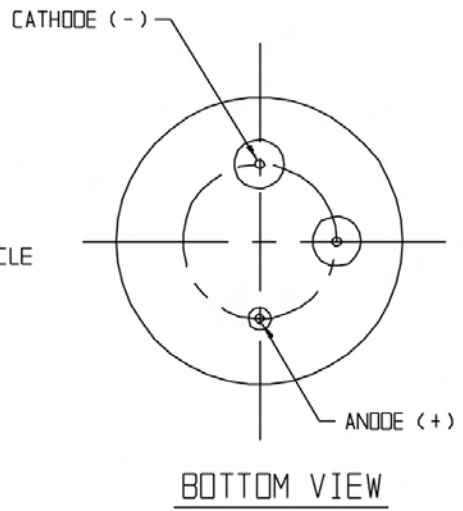
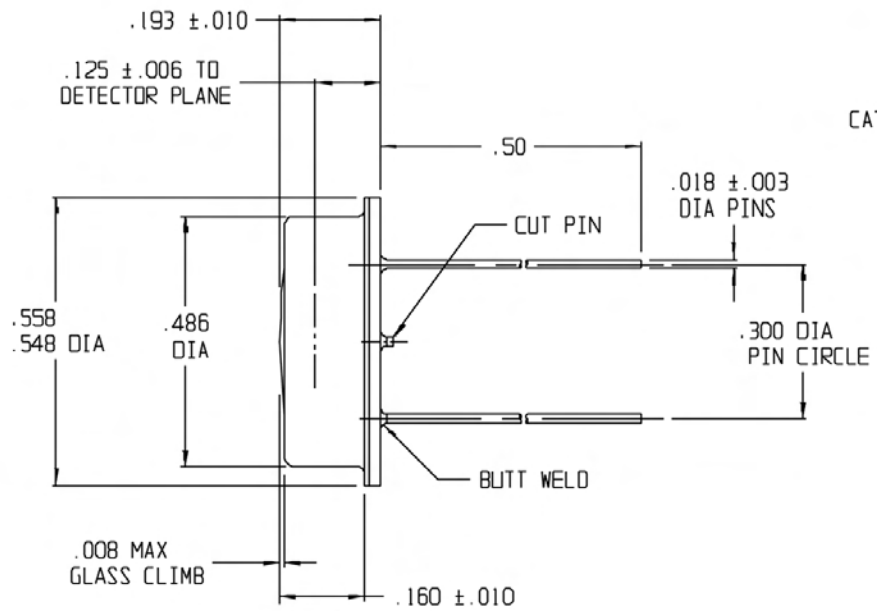
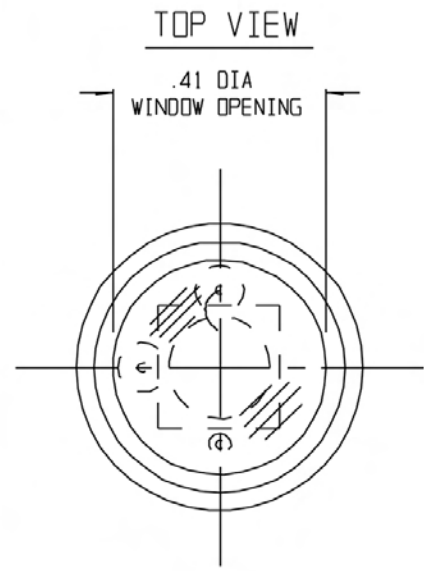


REVISIONS			
REV	DESCRIPTION	DATE	APPROVED
0	INITIAL RELEASE	08/27/99	FC/HD
1	CHANGES PER DCN 402308	11/21/00	WR/DFG



NOTE:

- DETECTOR CENTERED ±.015 TO HEADER.
- SPECIFICATIONS:

MATERIAL TYPE:	J16
ACTIVE AREA SIZE:	Ge-HS
PACKAGE SPECIFICATION:	5.0 mm DIA
	TD-8
DETECTOR SPECIFICATION AT:	22 °C
MINIMUM RESPONSE AT 1.3 um:	0.6 A/W
MINIMUM RESPONSE AT 0.85 um:	0.2 A/W
MINIMUM DETECTOR SHUNT IMPEDANCE (Rd):	10 Kohms
MAXIMUM REVERSE VOLTAGE (Vr):	-5 VOLTS
MAXIMUM DARK CURRENT AT MAX Vr:	40 uA
WINDOW MATERIAL:	BOROSILICATE GLASS

UNLESS OTHERWISE SPECIFIED: DIMENSIONS ARE IN INCHES: TOLERANCES		DRN	K.F.M.	DATE	08/27/99
		DESIGN	K.F.M.	DATE	8/27/99
DECIMALS	ANGULAR	CHECK	FRANK CECI	DATE	8/27/99
x ± .02	± 1/2°	PROJECT	N/A	DATE	-----
.xx ± .01		APPROVAL	WILLIAM ROLLS	DATE	8/30/99
.xxx ± .005		DATE APPROVAL	HOAN DUONG	DATE	0/1/00
NEXT ASSY		USED ON	THIRD ANGLE PROJECTION		

TELEDYNE JUDSON TECHNOLOGIES
A Teledyne Technologies Company

221 CONNERCE DRIVE
MONT GOMERYVILLE, PA. USA 18936

TITLE		
J16-8SP-R05M-HS		
SIZE	DWG NO.	REV
8	56586	460008-5POD
SCALE 4:1		DO NOT SCALE DWG
SHEET		1 of 1